

**V3S Core**

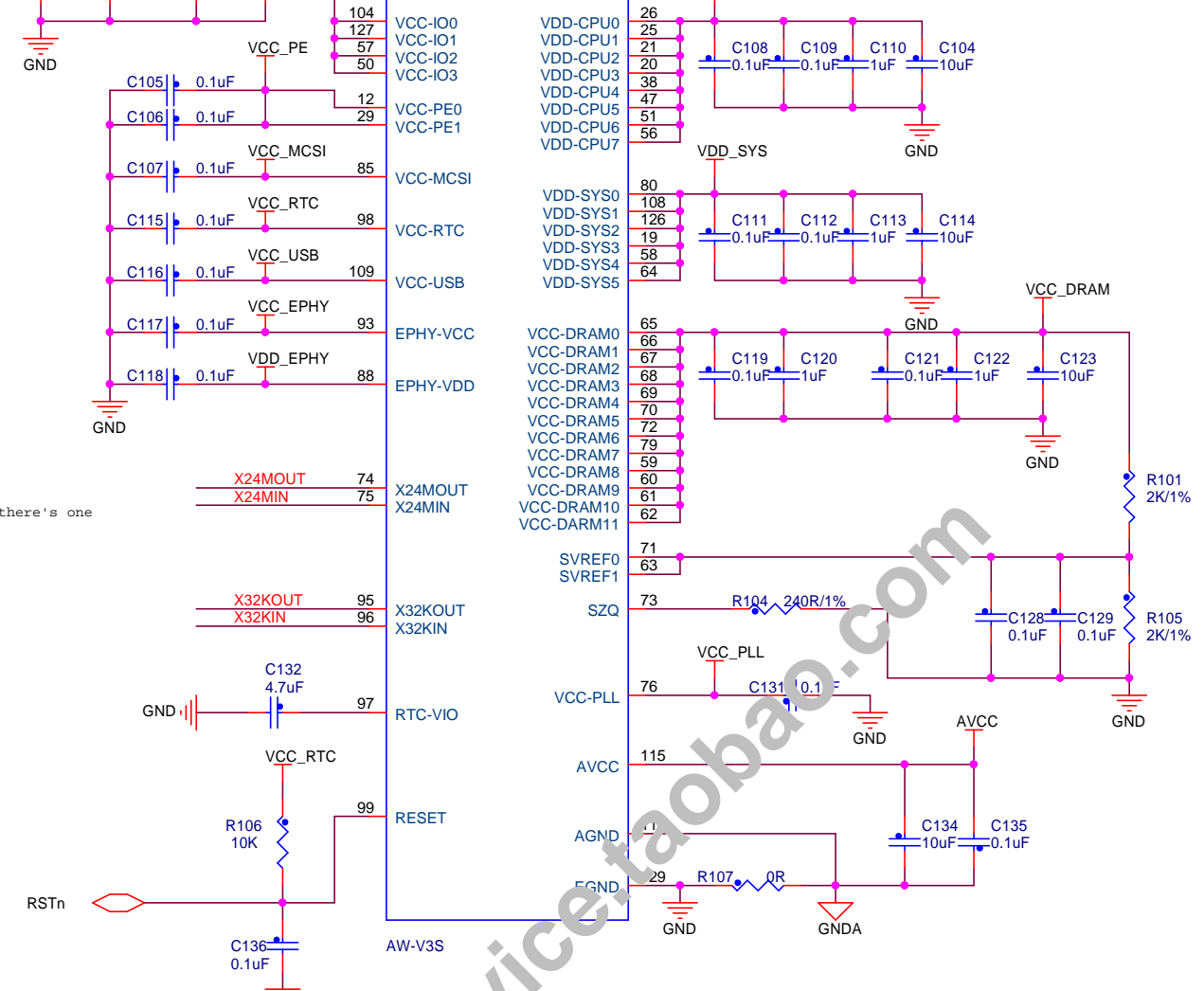
U100A

<b>SDIO</b>	WIFI_SDC_D3	128	PG5/SDC1_D3/PG_EINT5	MCSI-CKP	86	MCSI_CKP	<b>CAM</b>
	WIFI_SDC_D2	1	PG4/SDC1_D2/PG_EINT4	MCSI-CKN	87	MCSI_CKN	
	WIFI_SDC_D1	2	PG3/SDC1_D1/PG_EINT3	MCSI-D0P	81	MCSI_D0P	
	WIFI_SDC_D0	3	PG2/SDC1_D0/PG_EINT2	MCSI-D0N	82	MCSI_D0N	
	WIFI_SDC_CMD	4	PG1/SDC1_CMD/PG_EINT1	MCSI-D1P	83	MCSI_D1P	
	WIFI_SDC_CLK	5	PG0/SDC1_CLK/PG_EINT0	MCSI-D1N	84	MCSI_D1N	
	WIFI_PWR_EN	6	PE24/LCD_D23	EPHY_RXN	89	EPHY_RXN	<b>ETH</b>
	CSI_MIPI_GPIO2	7	PE23/LCD_D22	EPHY_RXP	90	EPHY_RXP	
	CSI_SDA	8	PE22/CSI_SDA/TWI1_SDA/UART1_RX	EPHY_TXN	91	EPHY_TXN	
	CSI_SCK	9	PE21/CSI_SCK/TWI1_SCK/UART1_TX	EPHY_TXP	92	EPHY_TXP	
	CSI_MIPI_MCLK	10	PE20/CSI_FIELD/CSI_MIPI_MCLK	EPHY_SPD_LED	78	EPHY_SPD_LED	
	CSI_D15	11	PE19/CSI_D15/LCD_D21	EPHY_LINK_LED	77	EPHY_LINK_LED	
	CSI_D14	12	PE18/CSI_D14/LCD_D20	EPHY_RXN	89	EPHY_RXN	
	CSI_D13	13	PE17/CSI_D13/LCD_D19	EPHY_RXP	90	EPHY_RXP	
	CSI_D12	14	PE16/CSI_D12/LCD_D18	EPHY_TXN	91	EPHY_TXN	
	CSI_D11	15	PE15/CSI_D11/LCD_D17	EPHY_TXP	92	EPHY_TXP	
	CSI_D10	16	PE14/CSI_D10/LCD_D16	EPHY_SPD_LED	78	EPHY_SPD_LED	
	CSI_D9	17	PE13/CSI_D9/LCD_D15	EPHY_LINK_LED	77	EPHY_LINK_LED	
	CSI_D8	18	PE12/CSI_D8/LCD_D14	EPHY_RXN	89	EPHY_RXN	
	CSI_D7	19	PE11/CSI_D7/LCD_D13	EPHY_RXP	90	EPHY_RXP	
	CSI_D6	20	PE10/CSI_D6/LCD_D12	EPHY_TXN	91	EPHY_TXN	
	CSI_D5	21	PE9/CSI_D5/LCD_D11	EPHY_TXP	92	EPHY_TXP	
	CSI_D4	22	PE8/CSI_D4/LCD_D10	EPHY_SPD_LED	78	EPHY_SPD_LED	
	CSI_D3	23	PE7/CSI_D3/LCD_D9	EPHY_LINK_LED	77	EPHY_LINK_LED	
	CSI_D2	24	PE6/CSI_D2/LCD_D8	EPHY_RXN	89	EPHY_RXN	
	CSI_D1	25	PE5/CSI_D1/LCD_D7	EPHY_RXP	90	EPHY_RXP	
	CSI_D0	26	PE4/CSI_D0/LCD_D6	EPHY_TXN	91	EPHY_TXN	
	CSI_VSYNC	27	PE3/CSI_VSYNC/LCD_VSYNC	EPHY_TXP	92	EPHY_TXP	
	CSI_HSYNC	28	PE2/CSI_HSYNC/LCD_HSYNC	EPHY_SPD_LED	78	EPHY_SPD_LED	
	CSI_MCLK	29	PE1/CSI_MCLK/LCD_DE	EPHY_LINK_LED	77	EPHY_LINK_LED	
	CSI_PCLK	30	PE0/CSI_PCLK/LCD_CLK	EPHY_RXN	89	EPHY_RXN	
	UART2_TX	39	PB0/UART2_TX/PB_EINT0	USB-DM	110	USB_DM	<b>USB</b>
	UART2_RX	40	PB1/UART2_RX/PB_EINT1	USB-DP	111	USB_DP	
	CSI_MIPI_GPIO0	41	PB2/UART2_RTS/PB_EINT2	LRADC0	112	LRADC0	<b>ADC</b>
	CSI_MIPI_GPIO1	42	PB3/UART2_CTS/PB_EINT3	HPCOM	125	HPCOM	
	PWM0	43	PB4/PWM0/PB_EINT4	HPCOMFB	124	HPCOMFB	
	PWM1	44	PB5/PWM1/PB_EINT5	HPVCCBP	123	HPVCCBP	
	TWI0_SCK	45	PB6/TWI0_SCK/PB_EINT6	HPVCCIN	122	HPVCCIN	
	TWI0_SDA	46	PB7/TWI0_SDA/PB_EINT7	HPOUTL	120	HPOUTL	<b>SPK</b>
	TWI1_SCK	47	PB8/TWI1_SCK/UART0_TX/PB_EINT8	HPOUTR	121	HPOUTR	
	TWI1_SDA	48	PB9/TWI1_SDA/UART0_RX/PB_EINT9	HBIAS	119	HBIAS	
	SPI_MISO	52	PC0/SDC2_CLK/SPI_MISO	MICIN1N	114	MICIN1N	<b>MIC</b>
	SPI_CLK	53	PC1/SDC2_CMD/SPI_CLK	MICIN1P	113	MICIN1P	
	SPI_CS	54	PC2/SDC2_RST/SPI_CS	VRA2	118	VRA2	
	SPI_MOSI	55	PC3/SDC2_D0/SPI_MOSI	VRA1	117	VRA1	
	SDC0_DET	100	PF6				
	SDC0_D2	101	PF5/SDC0_D2/JTAG_CK1				
	SDC0_D3	102	PF4/SDC0_D3/UART0_RX				
	SDC0_CMD	103	PF3/SDC0_CMD/JTAG_DO1				
	SDC0_CLK	105	PF2/SDC0_CLK/UART0_TX				
	SDC0_D0	106	PF1/SDC0_D0/JTAG_DI1				
	SDC0_D1	107	PF0/SDC0_D1/JTAG_MS1				

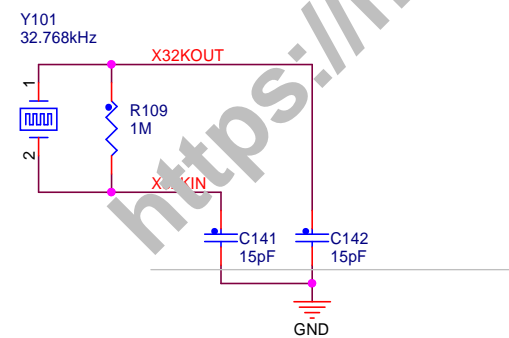
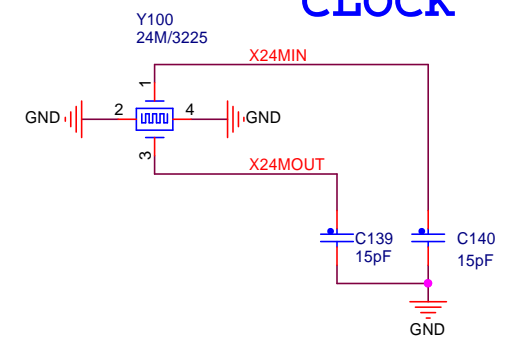
AW-V3S

**V3S Power**

U100B

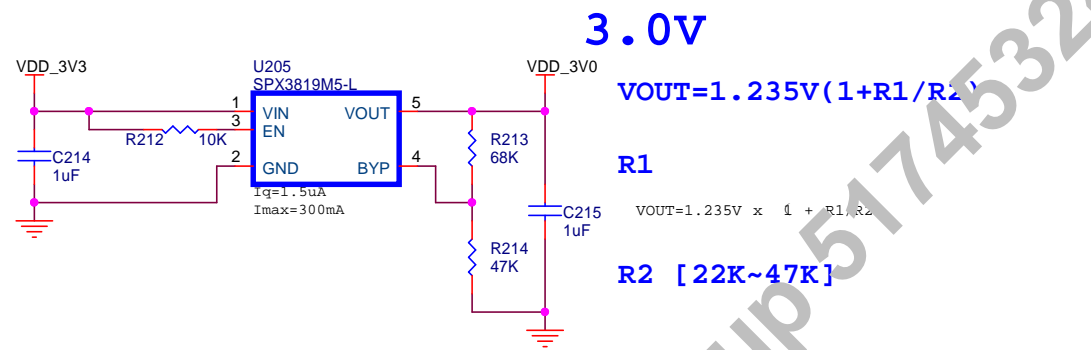
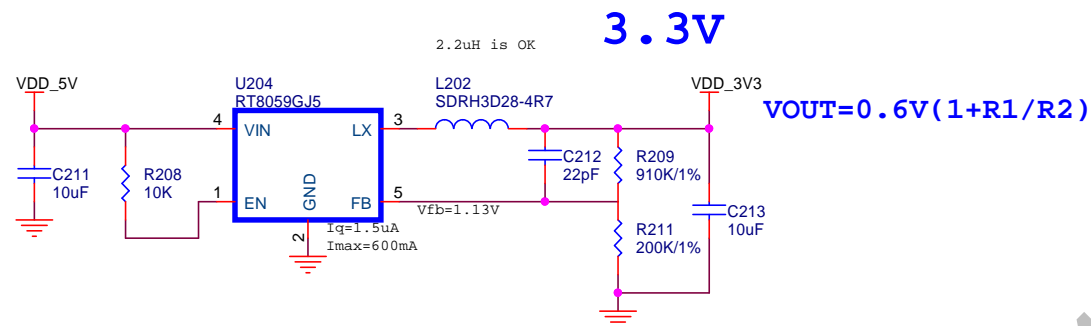
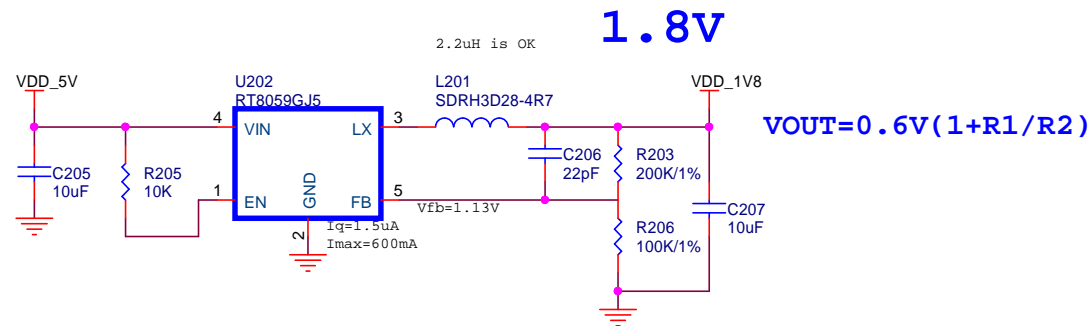
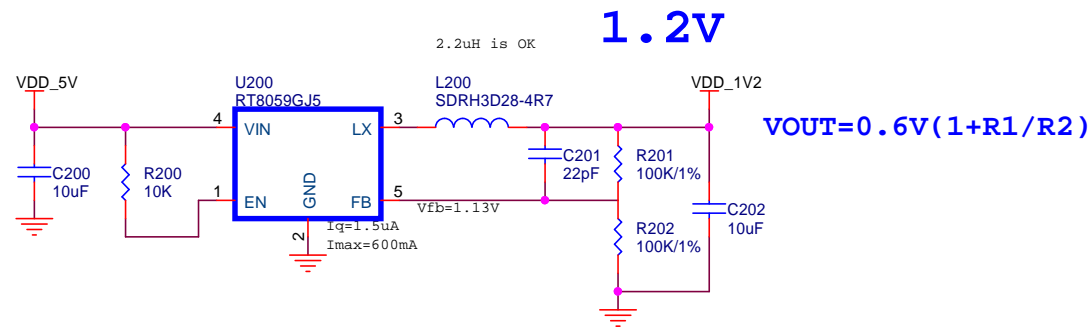


**CLOCK**

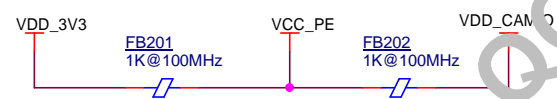


Title		<Title>
Size	Document Number	Rev
A3	<Doc>	<RevCode>
Date:	Tuesday, September 11, 2018	Sheet 1 of 7

# SYSTEM POWER

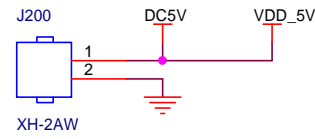


## VCC\_PE for DVP/LCD

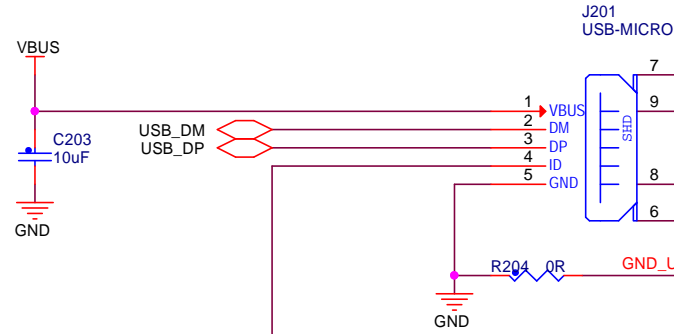


Only ONE FB ← CAM BOARD LDO to VCC\_PE(2.8V/1.8V)  
 TWO FBs → VDD\_3V3 to VCC\_PE and CAM IO

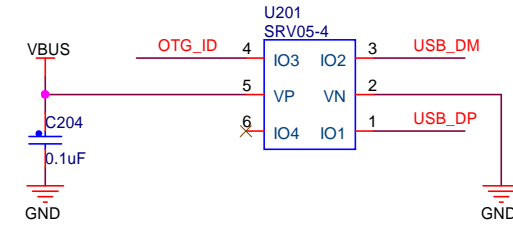
## DC5V Socket



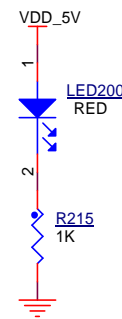
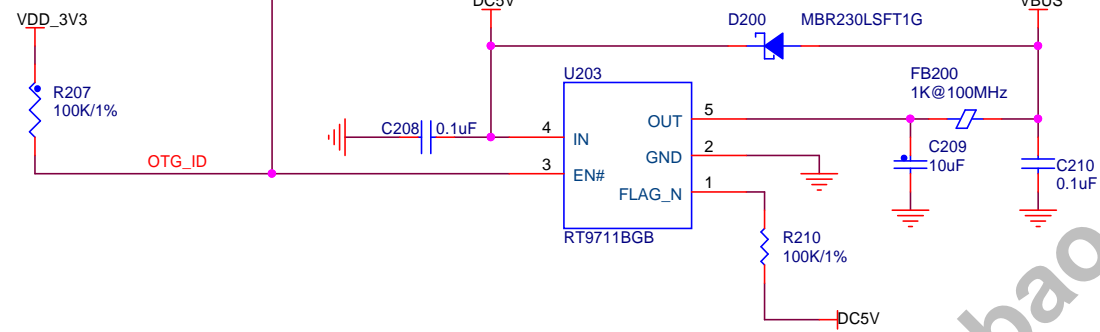
## USB OTG



## ESD



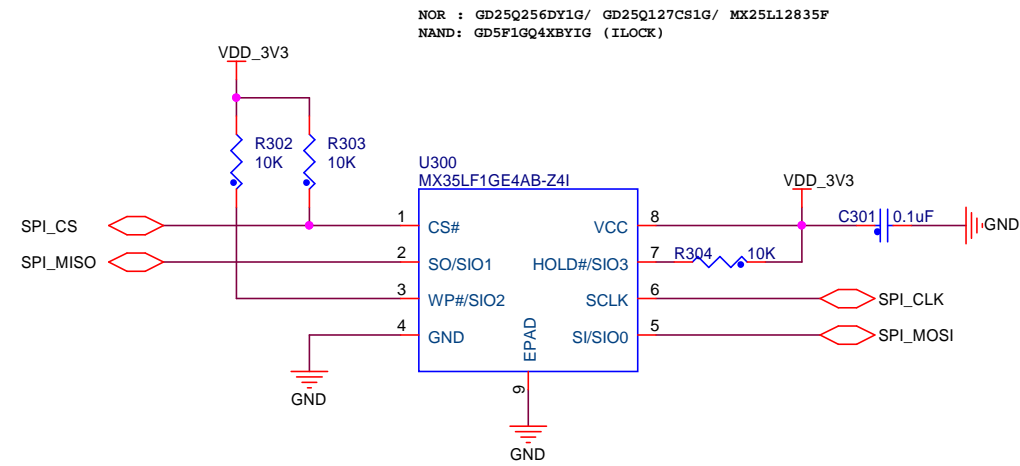
## DC5V <--> VBUS



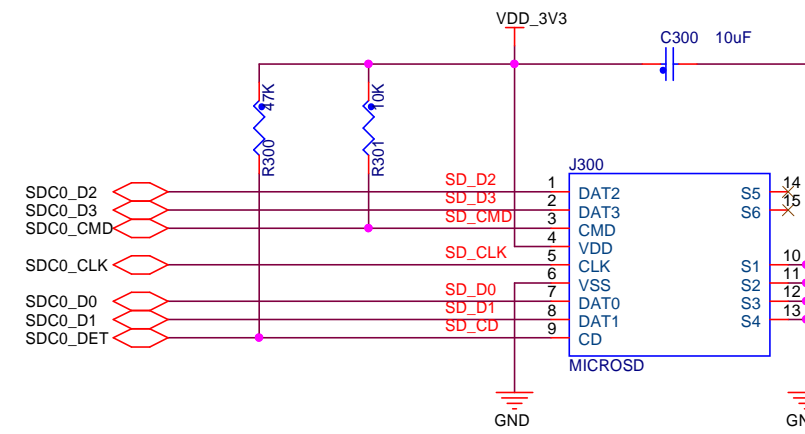
<https://mvdevice.taobao.com>

Title		
<Title>		
Size	Document Number	Rev
A3	<Doc>	<RevCode>
Date:	Wednesday, September 12, 2018	Sheet 2 of 7

### SPI Nand/Nor Flash



### MICRO-SD

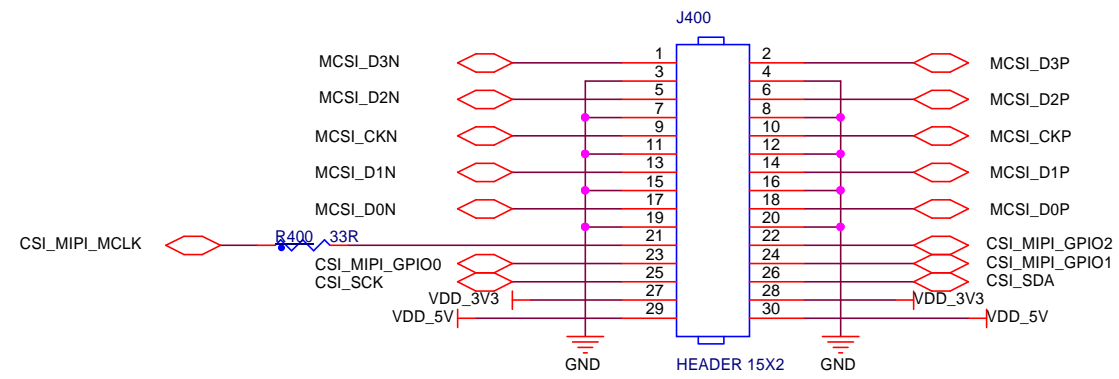


QQGroup 517453247

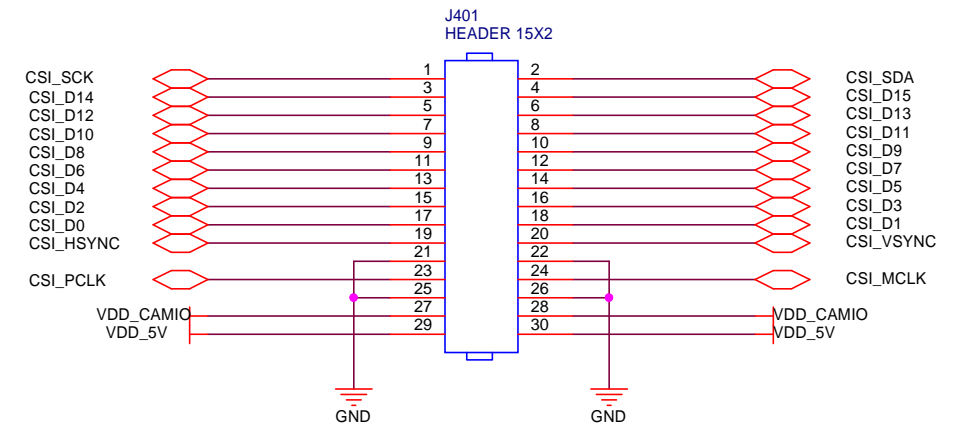
<https://mvdevice.taobao.com>

Title		<Title>
Size	Document Number	Rev
A3	<Doc>	<RevCode>
Date:	Wednesday, September 12, 2018	Sheet 3 of 7

## MIPI-CSI



## DVP/LCD



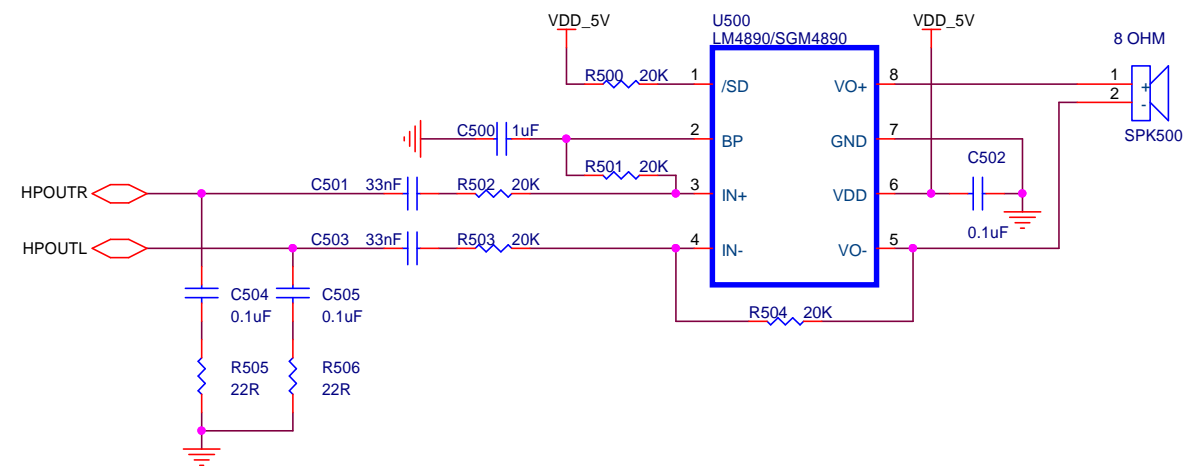
EXP, RST, PWDN (STBY) IN USED  
LIGHTING, EXP\_B, FLASH - NOT USED

QQGroup 517453247

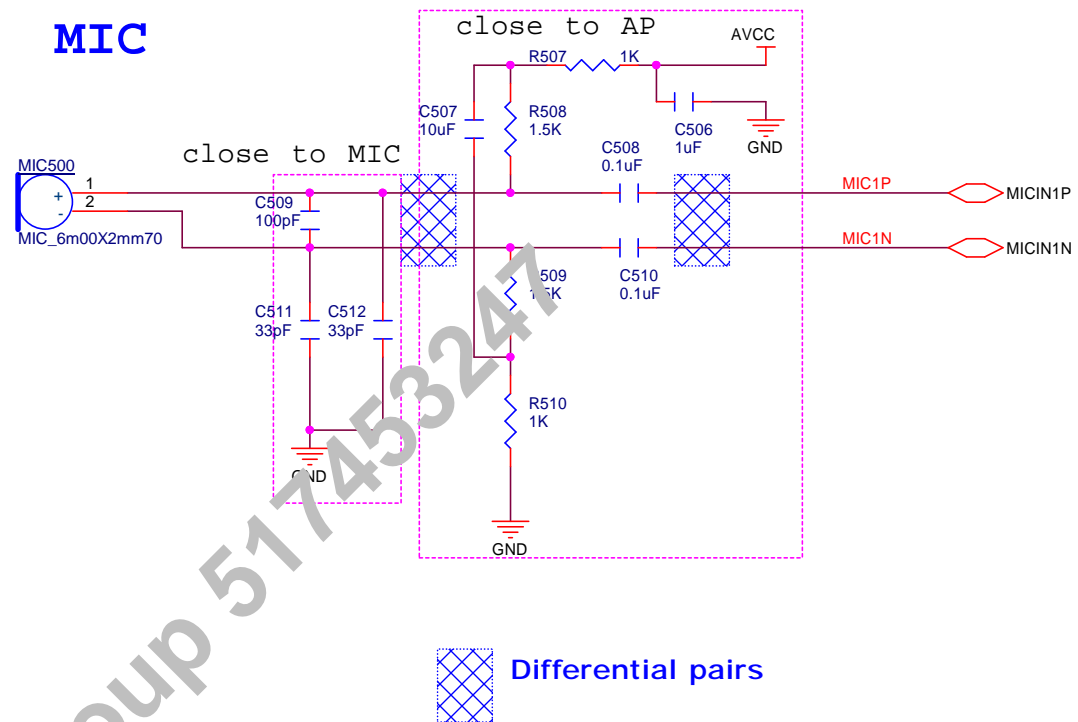
<https://mvdevice.taobao.com>

Title		<Title>
Size	Document Number	Rev
A3	<Doc>	<RevCode>
Date:	Tuesday, September 11, 2018	Sheet 4 of 7

## SPEAKER

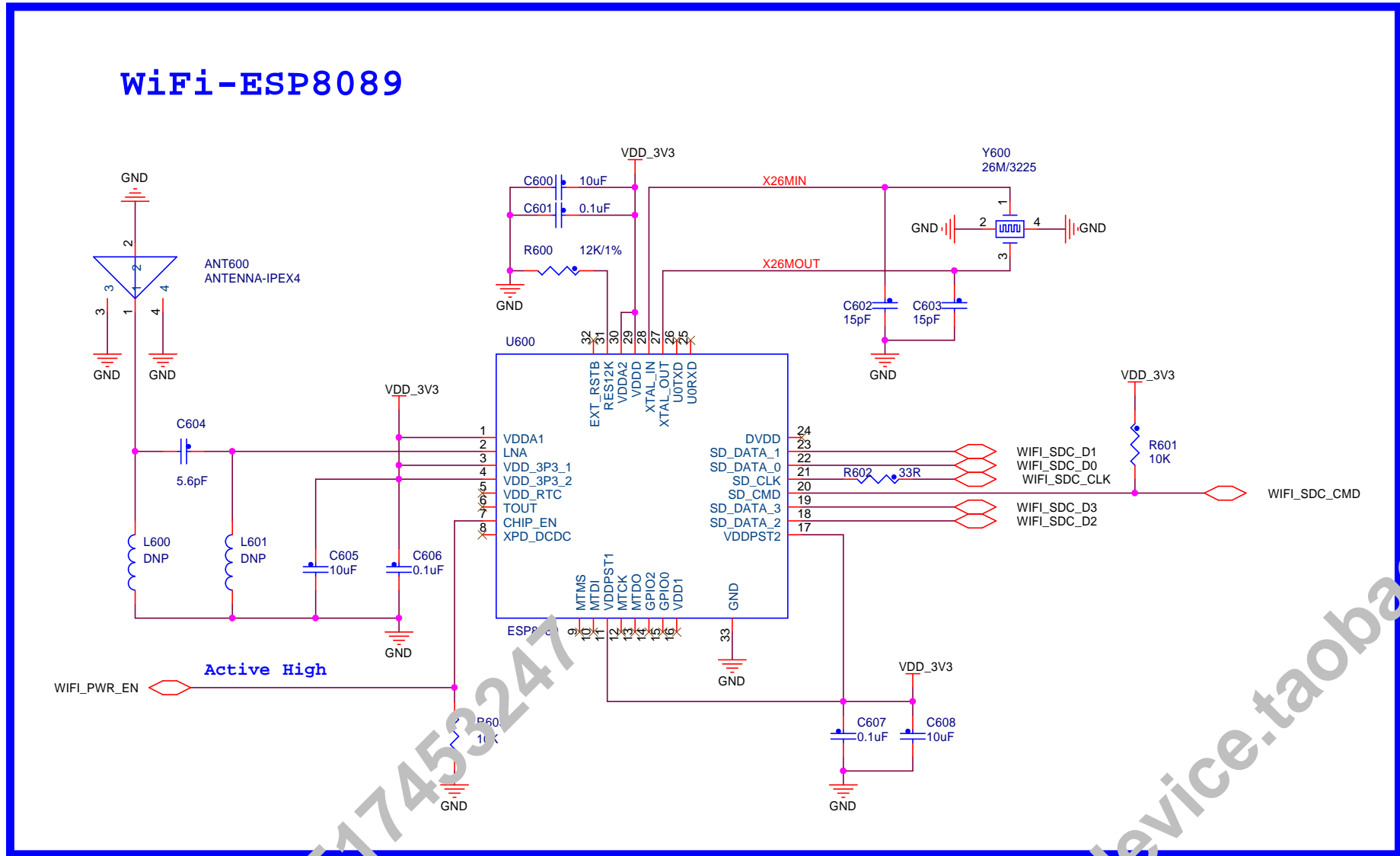


## MIC



Title		
<Title>		
Size	Document Number	Rev
A3	<Doc>	<RevCode>
Date:	Monday, September 10, 2018	Sheet 5 of 7

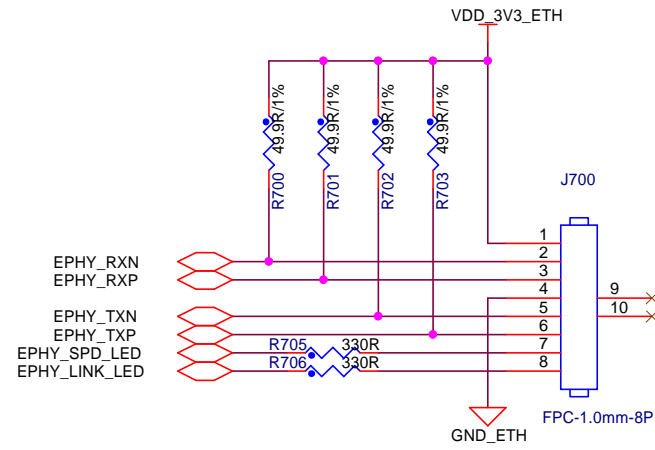
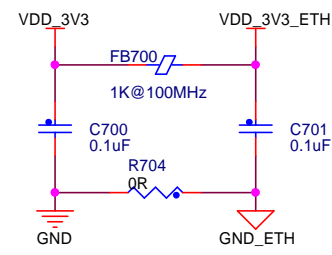
# WiFi-ESP8089



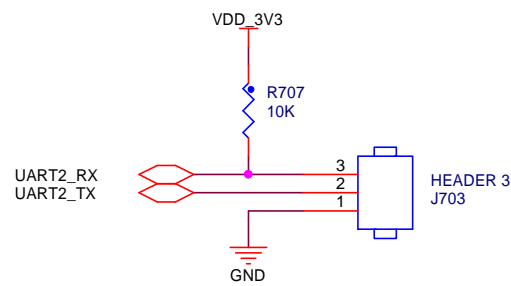
QQGroup 517453247  
<https://mdevice.taobao.com>

Title		<Title>
Size	Document Number	Rev
A3	<Doc>	<RevCode>
Date:	Monday, September 10, 2018	Sheet 6 of 7

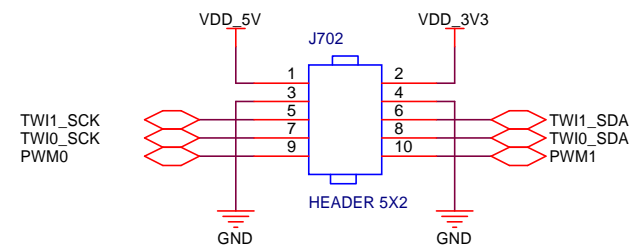
## ETHERNET



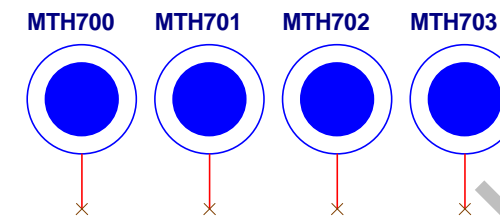
## UART/DEBUG



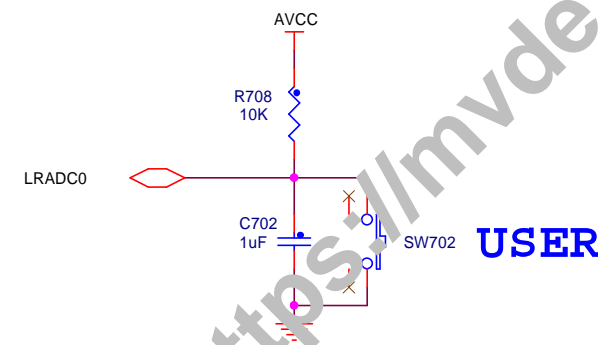
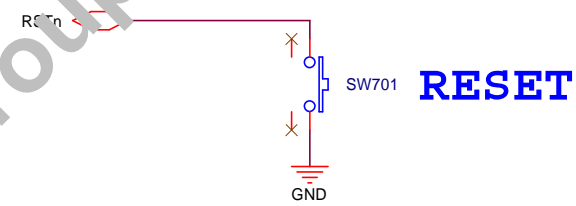
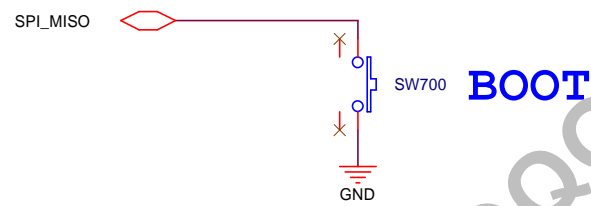
## UART/I2C/PWM



## MOUNTING HOLE/4mm\_2mm



## KEYS



Title		<Title>
Size	Document Number	Rev
A3	<Doc>	<RevCode>
Date:	Wednesday, September 12, 2018	Sheet 7 of 7