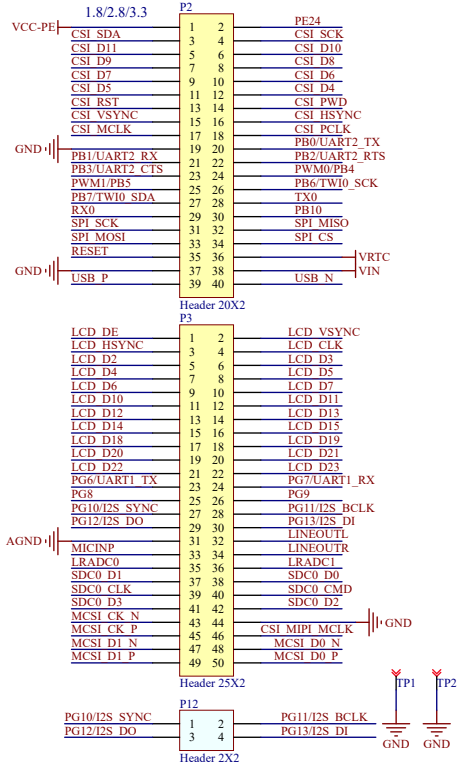
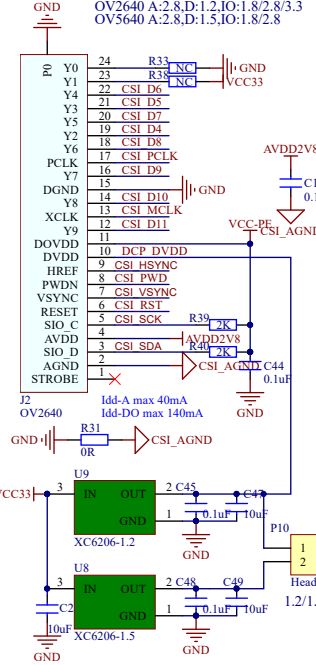


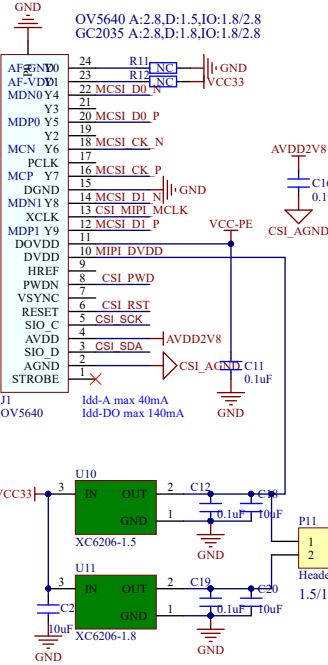
核心板连接部分



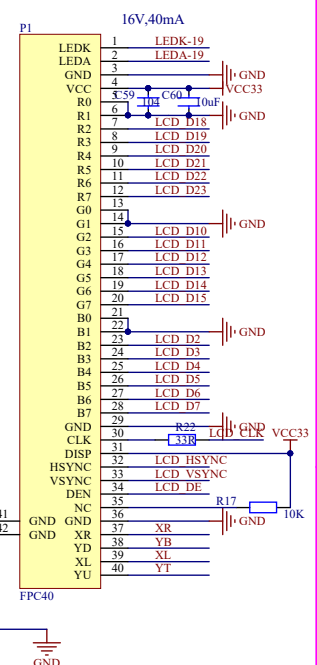
DVP



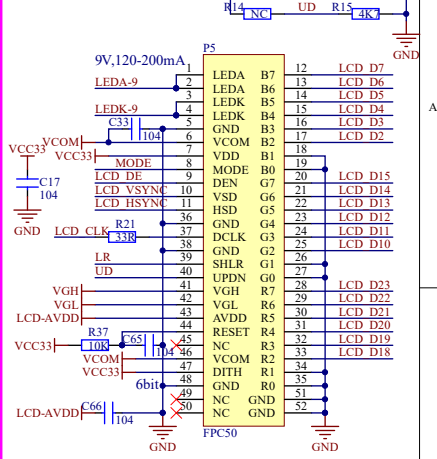
MIPI



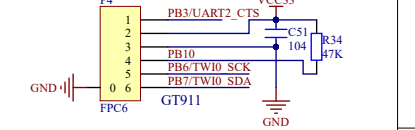
40P-RGB



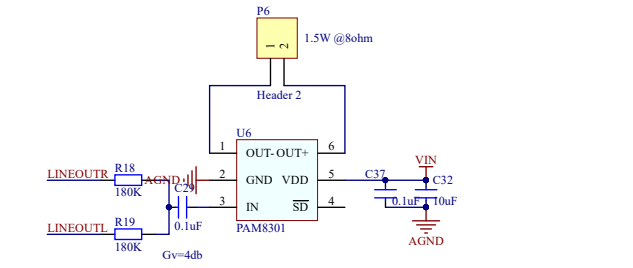
50P-RGB



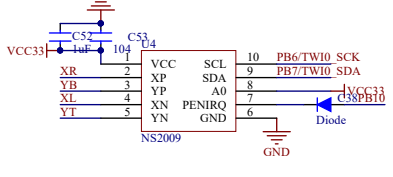
CTP



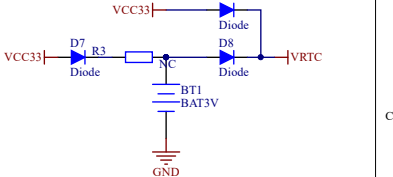
AUDIO



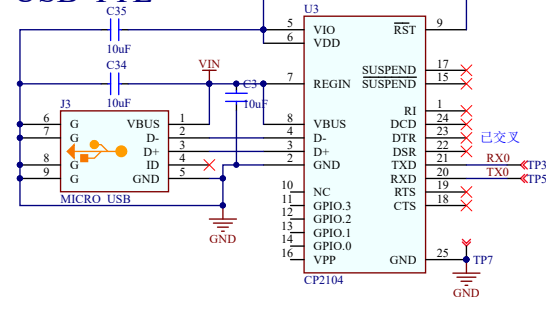
RTP



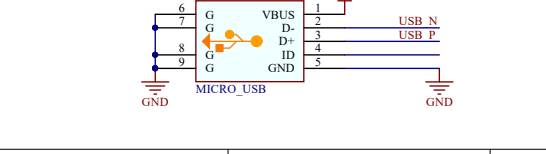
RTC



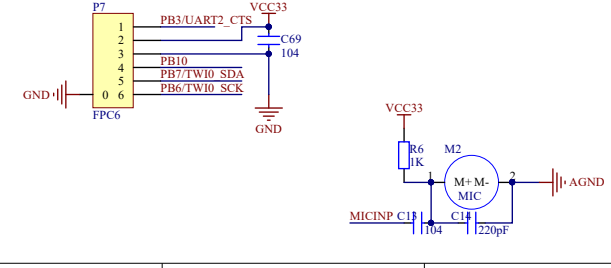
USB-TTL



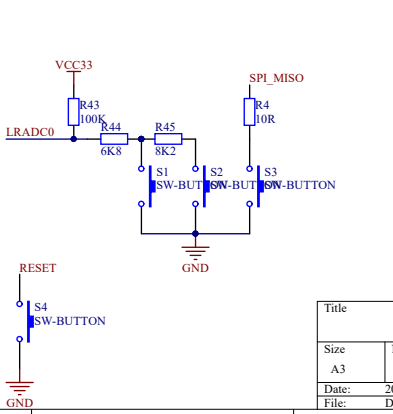
USB



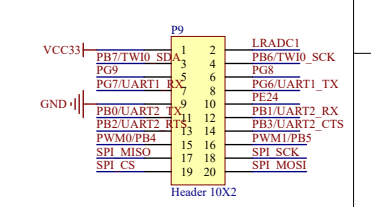
CTP2



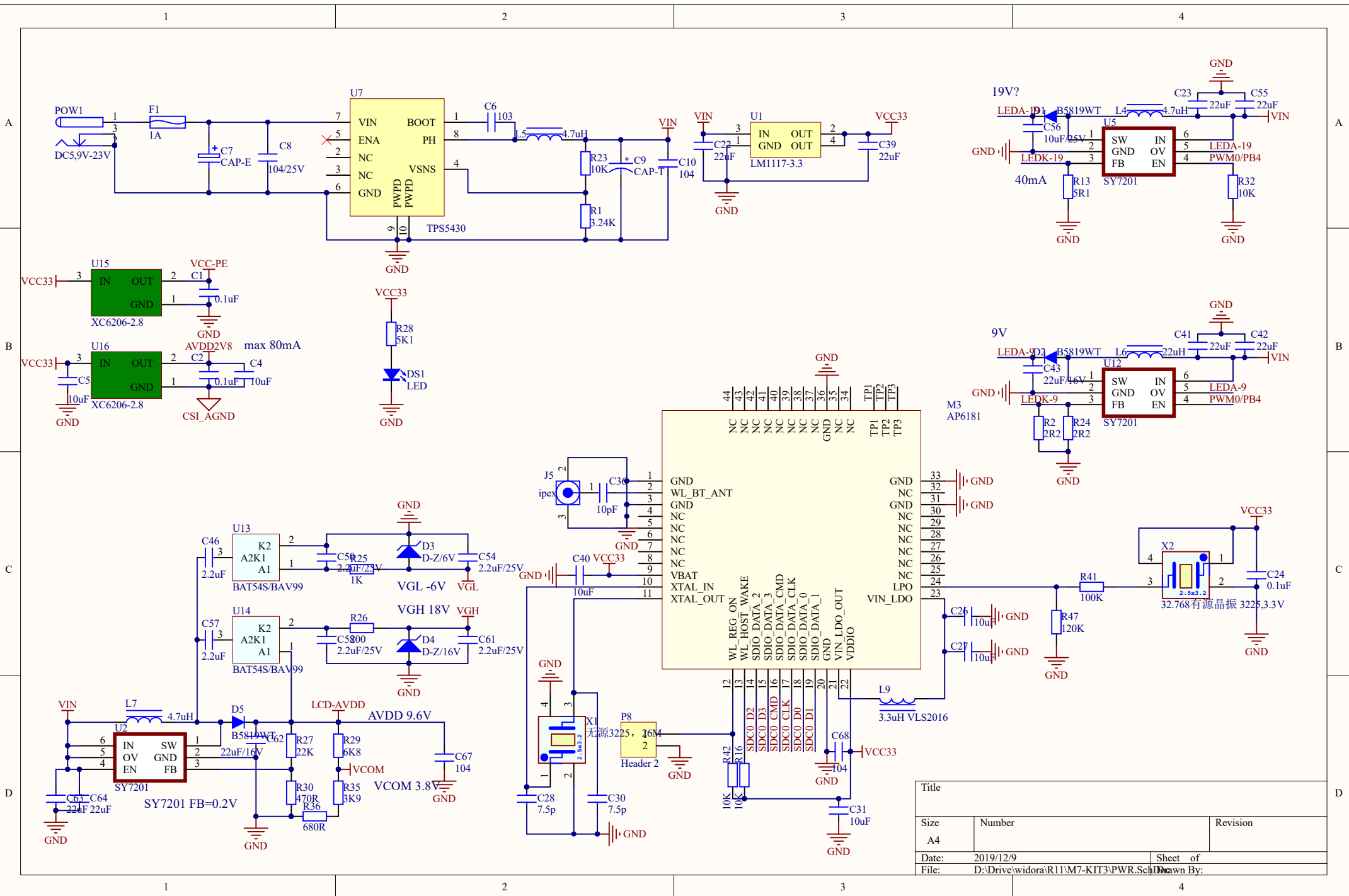
KEY



PINOUT



Title		
Size	A3	
Number		
Revision		
Date:	2019/12/9	Sheet of
File:	D:\Drive\widora\R11\U7-KIT3\KIT_Sch	Drawn By:



Title		
Size	Number	Revision
A4		
Date:	2019/12/9	Sheet of
File:	D:\Drive\widora\R11\M7-KIT3\PWR_Sch	Drawn By: