

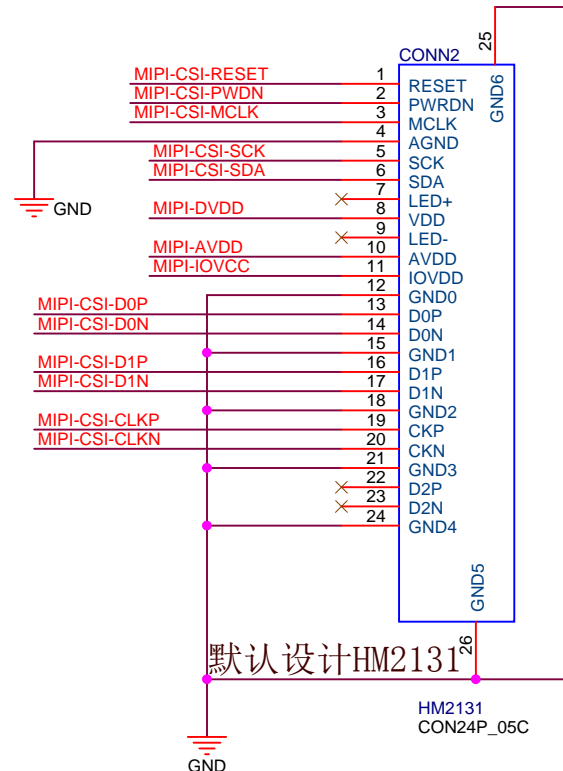
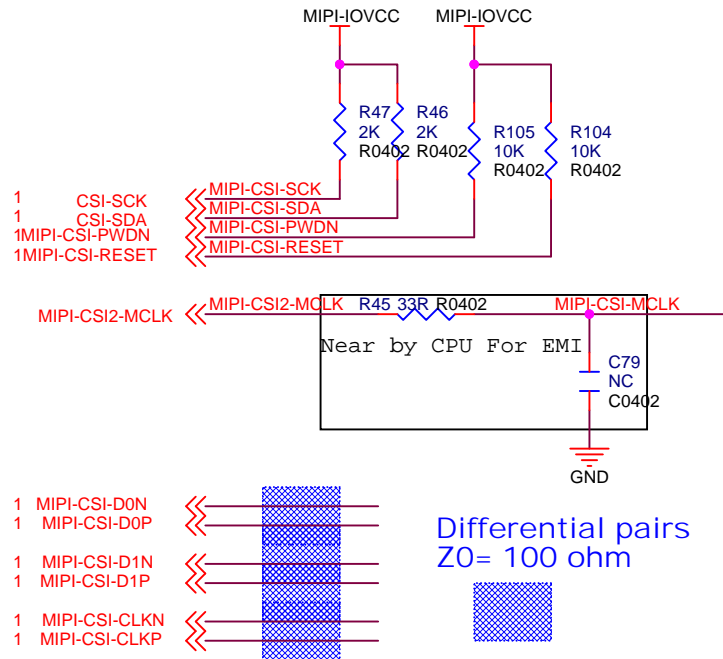
AllWinner Technology Co.,Ltd

Design Name **R11_STD_V1_0**

Size A4 Page Name **CONNECTOR** Rev

Date: Wednesday, November 15, 2017 Sheet 1 of 7

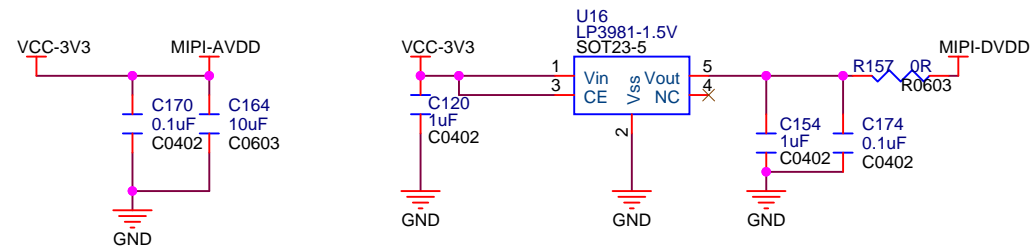
CAMERA



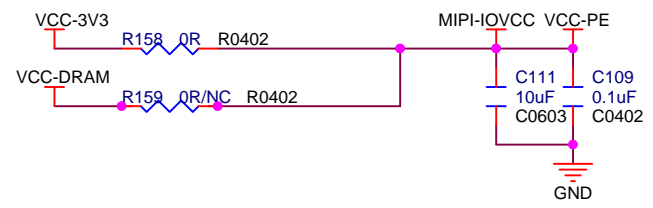
CAMERA POWER

OV2710:
 AVDD 3.3V (3.0V-3.6V)
 DVDD 1.5V (1.425V-1.575V)
 IOVCC 3.0V (1.7V-3.6V)

HM2131:
 AVDD 3.3V (3.0V-3.6V)
 DVDD 1.5V (1.35V-1.65V)
 IOVCC 1.8V (1.7V-3.6V)

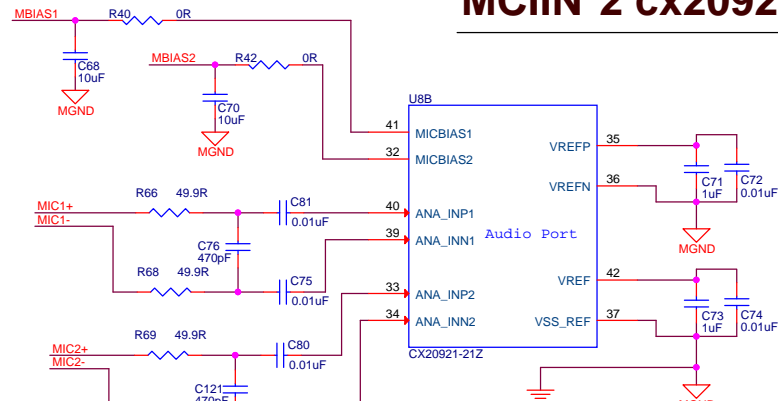
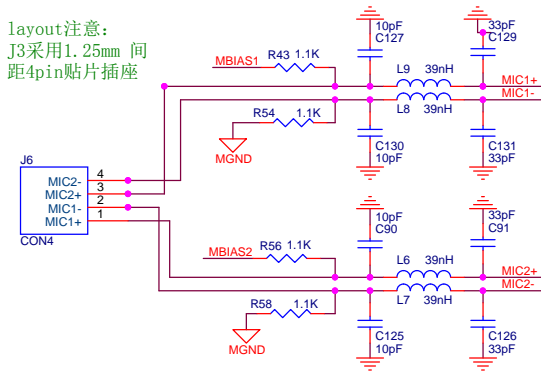


VCC-PE与MIPI-IOVDD电压必须共用一路



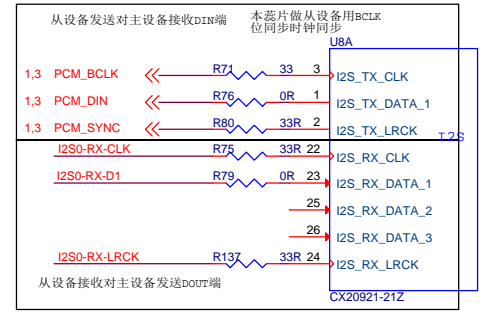
	AllWinner Technology Co., Ltd	
	Design Name R11_STD_V1_0	
Size A4	Page Name CAMERA-MIPI	Rev
Date: Monday, November 13, 2017	Sheet 2	of 7

layout注意:
J3采用1.25mm 间距4pin贴片插座

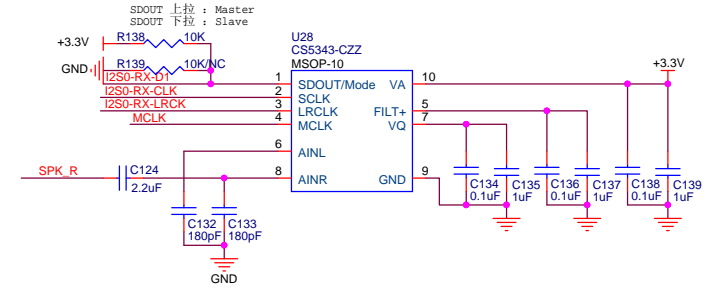


Tied MGND to GND with 50 mils Metal Plane on Bottom layer.

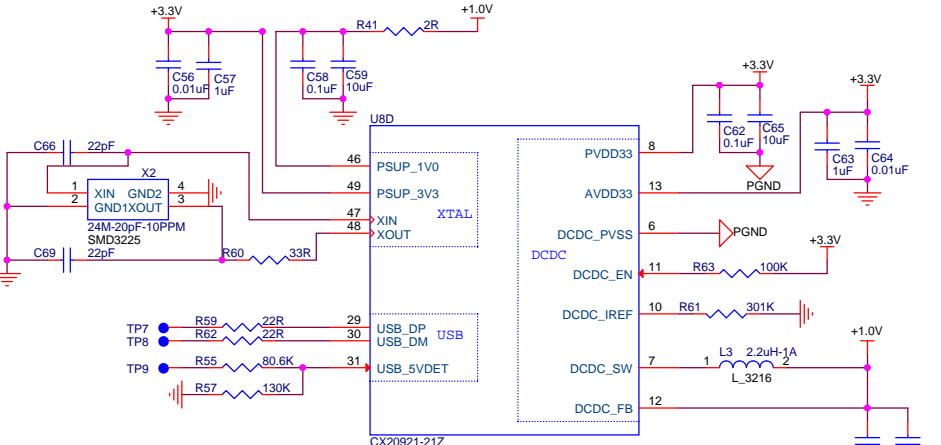
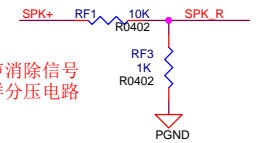
- 1,6,7 TWI0-SCK <<> I2C-SCK
- 1,6,7 TWI0-SDA <<> I2C-SDA
- 1,3 PCM_DIN <<< PCM DIN
- 1,3 PCM_BCLK <<< PCM BCLK
- 1,3 PCM_SYNC <<< PCM SYNC
- 4 SPK+ <<< SPK+



1、CX20921 I2S_TX 接主控SOC I2S输入;
2、CX20921 I2S_RX 接ADC CSS343.



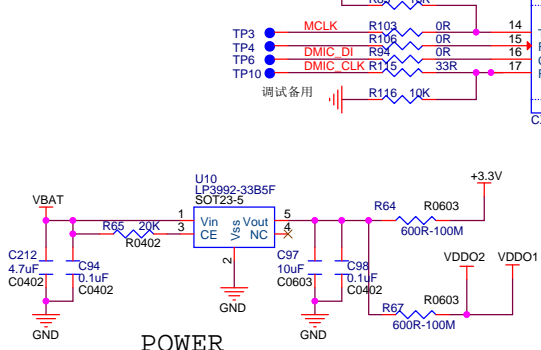
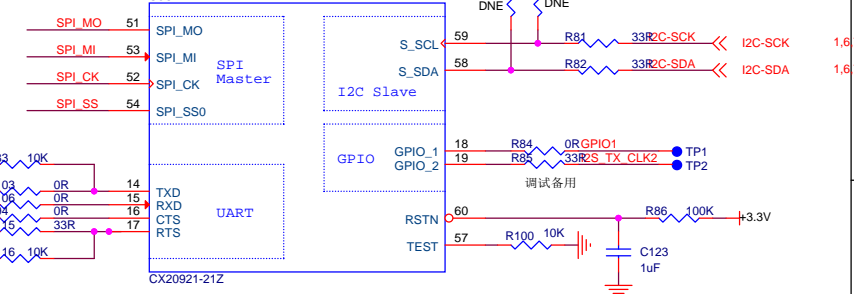
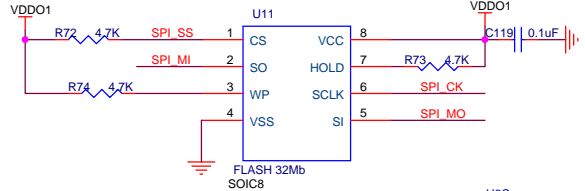
回声消除信号
采样分压电路



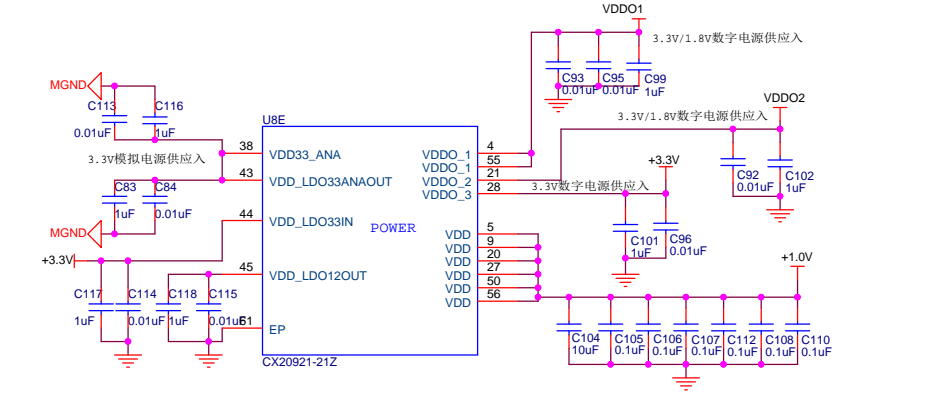
Tied PGND to GND with 50 mils Metal Plane on Bottom layer.

Critical Layout Note:
C61 negative terminal and C78 negative terminal connecting to PGND should both be placed very close to pin 6 of the CX20921 device.
The PGND-GND 50-mil tie connection should be close to the C61/C78/Pin_6 junction.
Doing this will minimize the GND bounce in the DC-DC converter area.

Siik: PGND



POWER



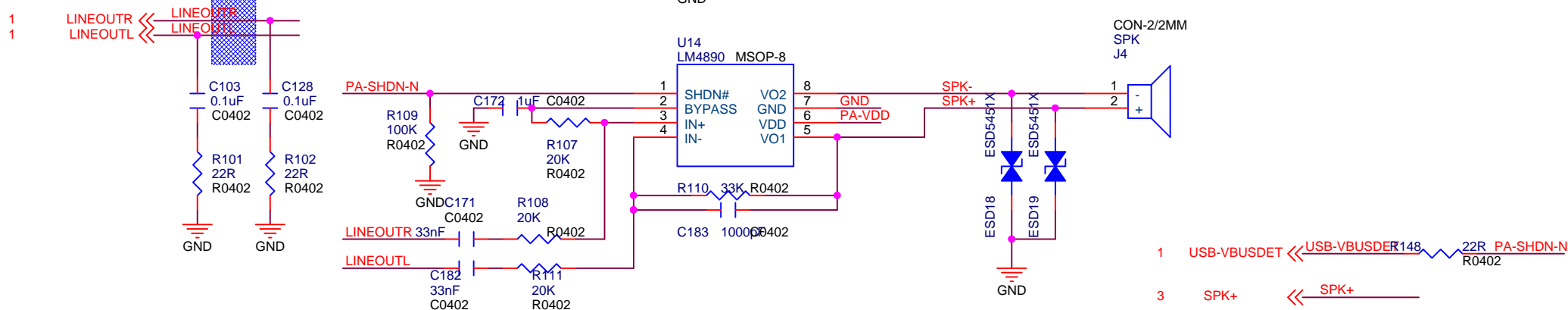
		AllWinner Technology Co., Ltd	
		Design Name R11_STD_V1_0	
Size A3	Page Name CX20921	Rev	
Date: Wednesday, November 15, 2017		Sheet	3 of 7

AUDIO

Speaker

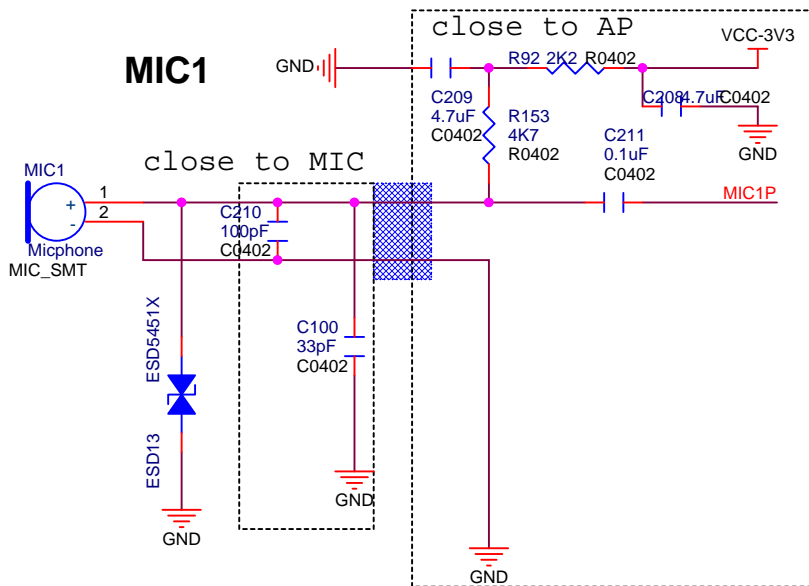
AB类

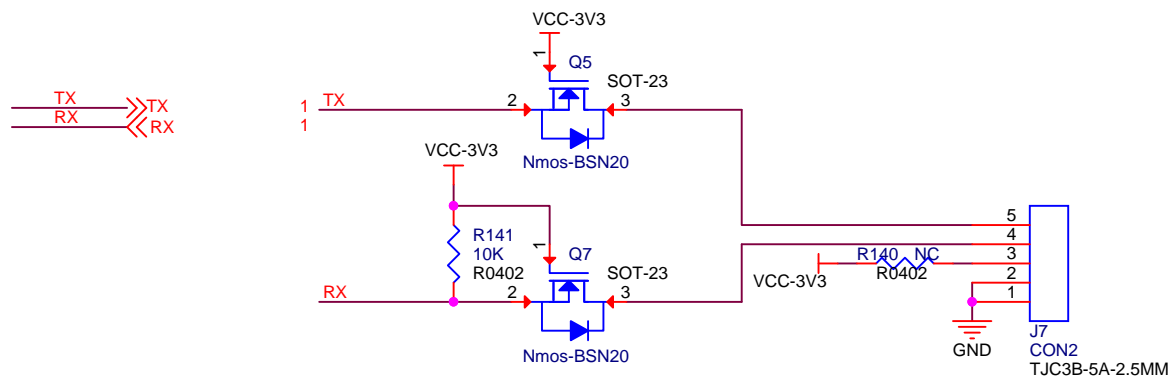
注：LINEOUTR和LINEOUTL默认为差分输出方式。



Analog Microphone (Main MIC)

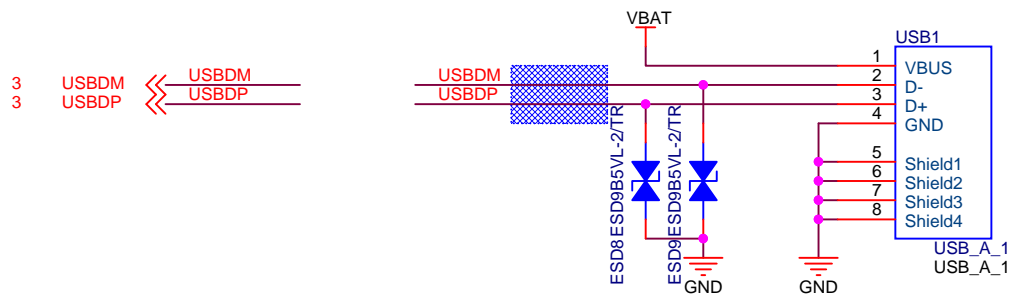
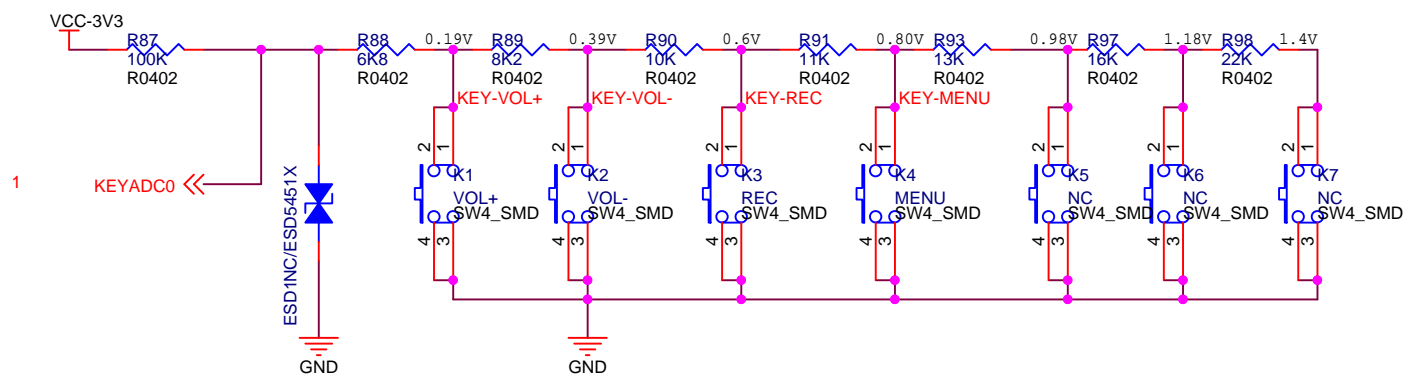
1 MIC1P << MIC1P




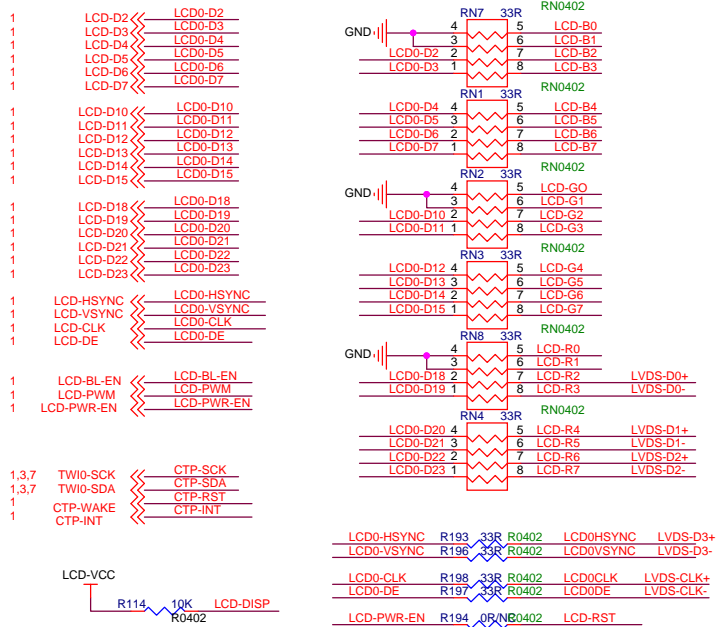


KEY

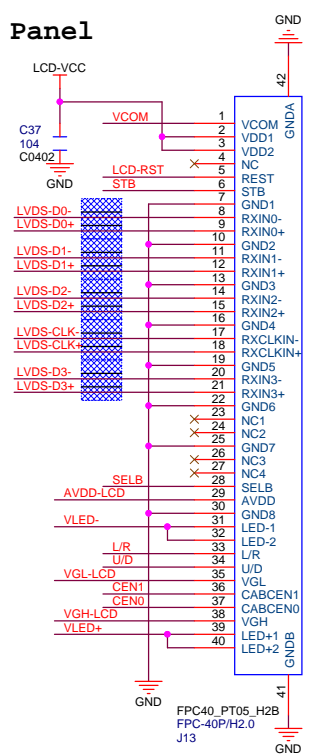
注：每隔0.2v一个按键



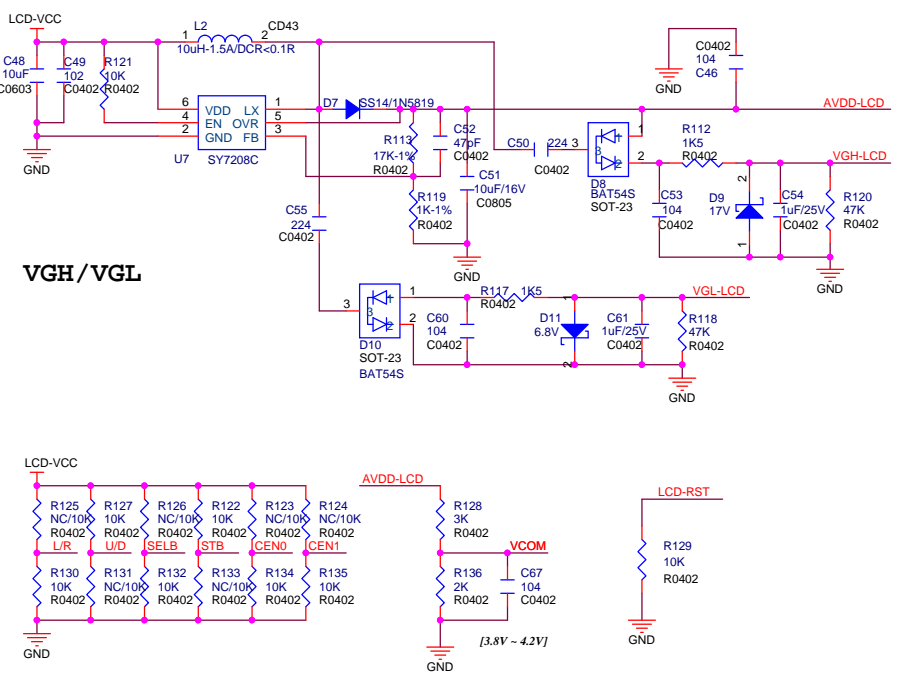
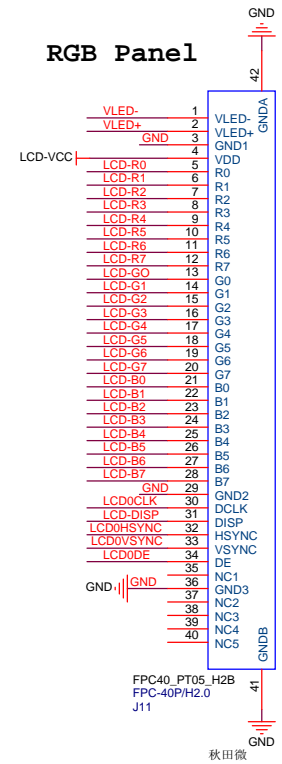
			AllWinner Technology Co.,Ltd		
			Design Name		
Size A4	Page Name KEY		Rev		
Date: Wednesday, November 15, 2017			Sheet	5	of 7



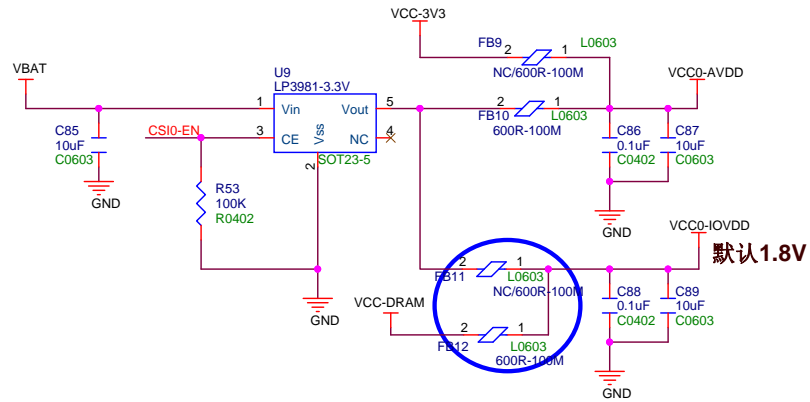
LVDS Panel



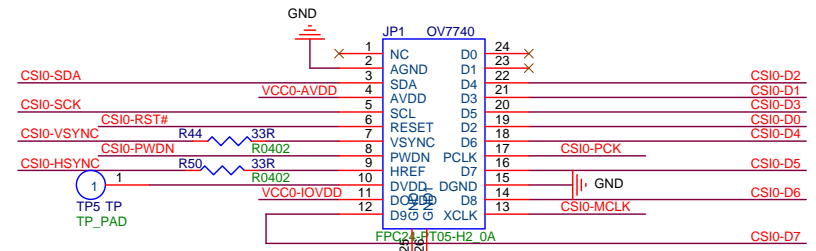
RGB Panel



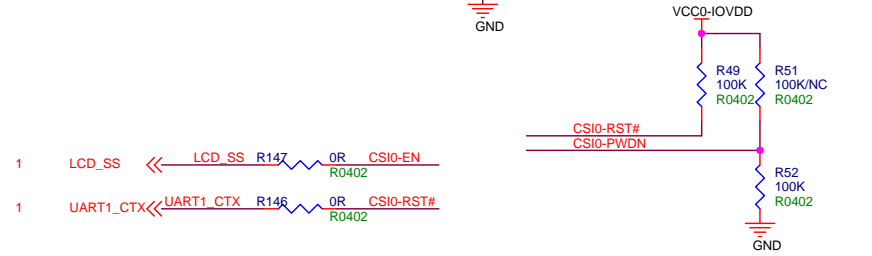
Bluetooth/DVP



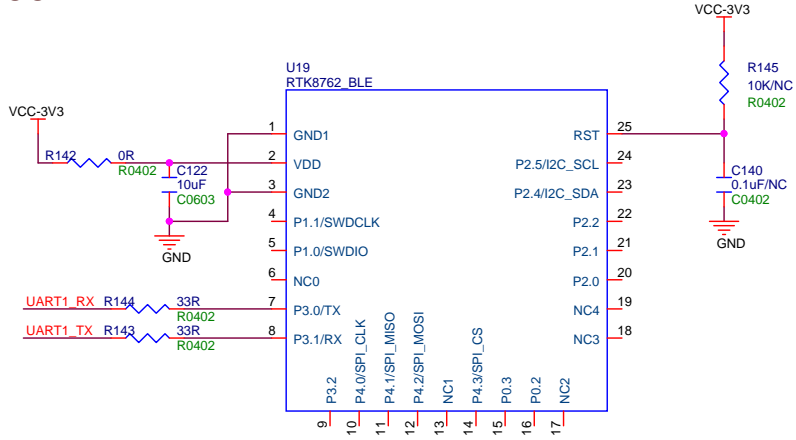
VCC0-IOVDD供电可以选择1.8V或3.3V



默认OV7740



BLUETOOTH



模块下方所有层需要去掉铜皮。

