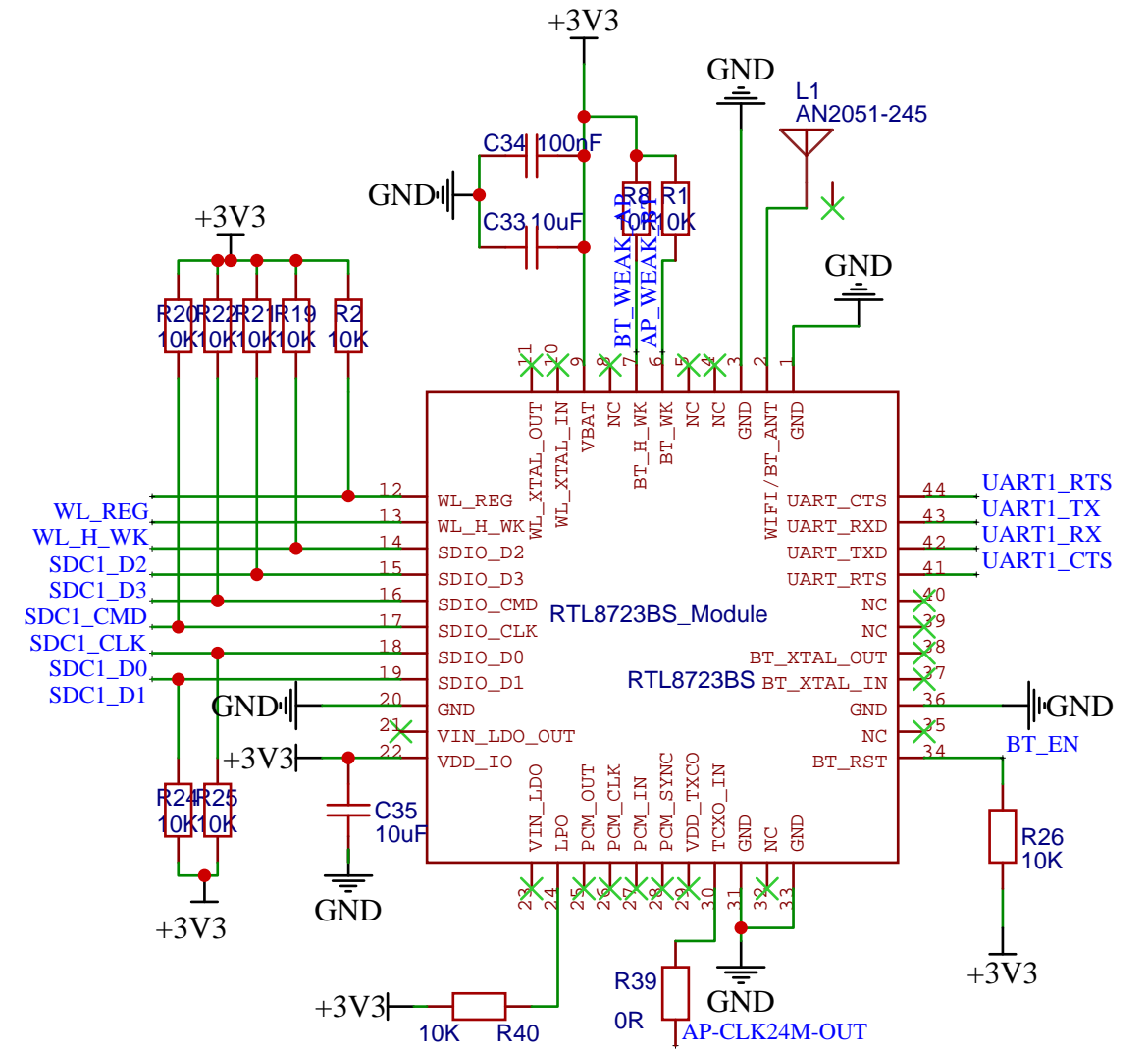
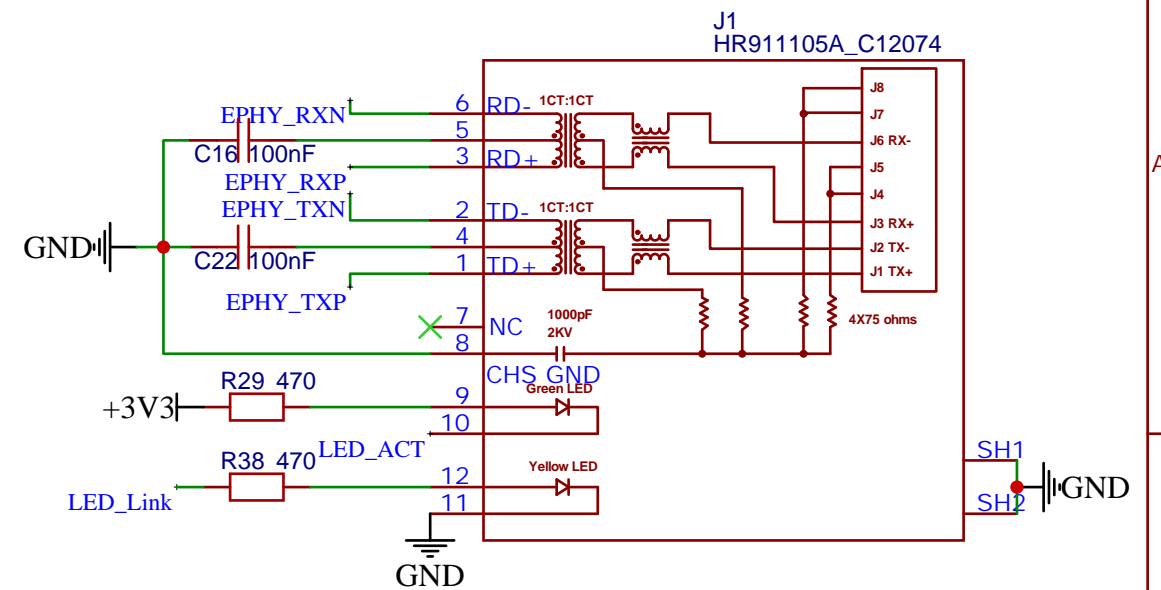
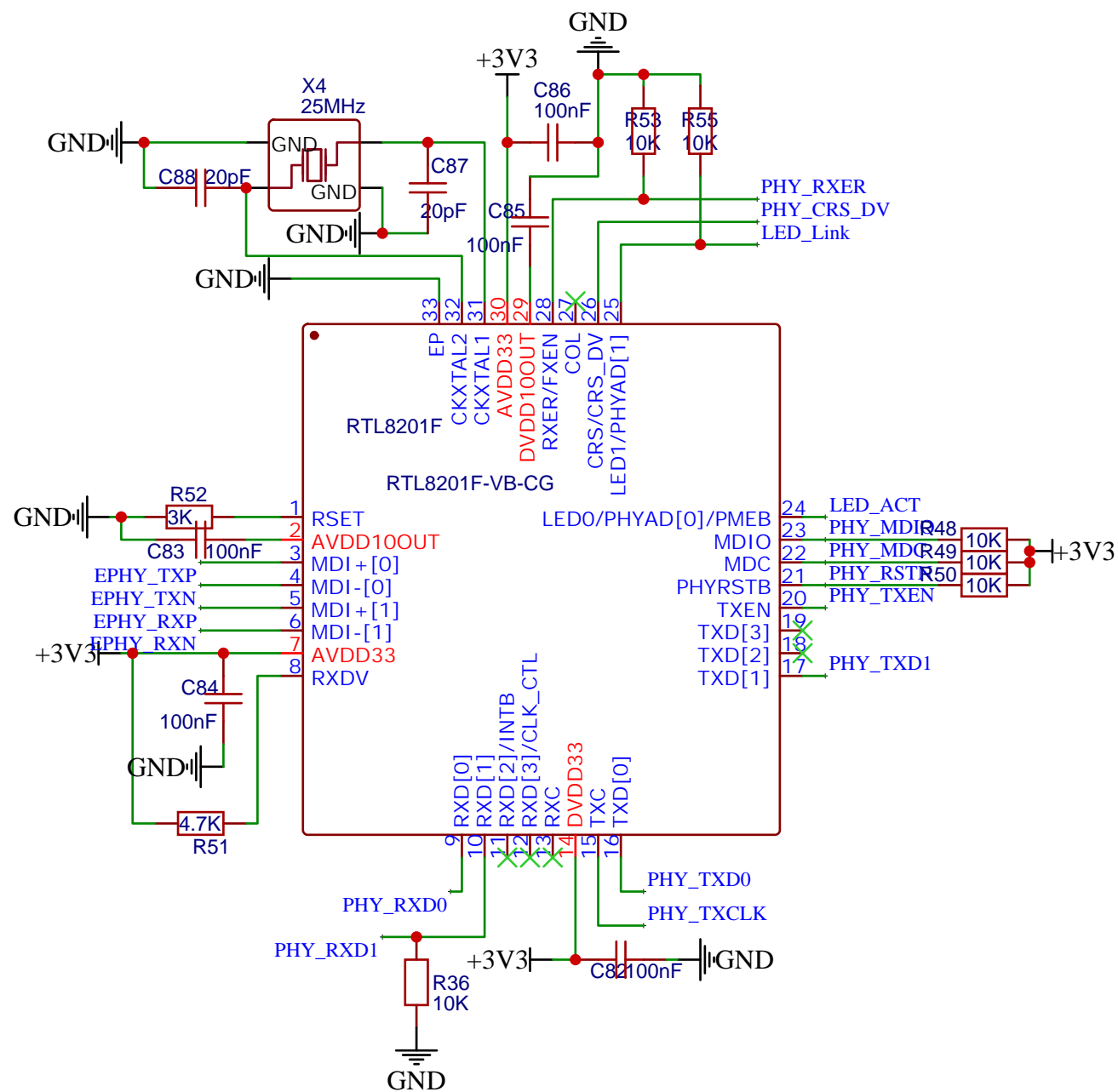


TITLE:	Sheet_1	REV:	1.0	
Company:	Your Company		Sheet:	1/1
Date:	2022-08-15	Drawn By:	ftwtwzy	

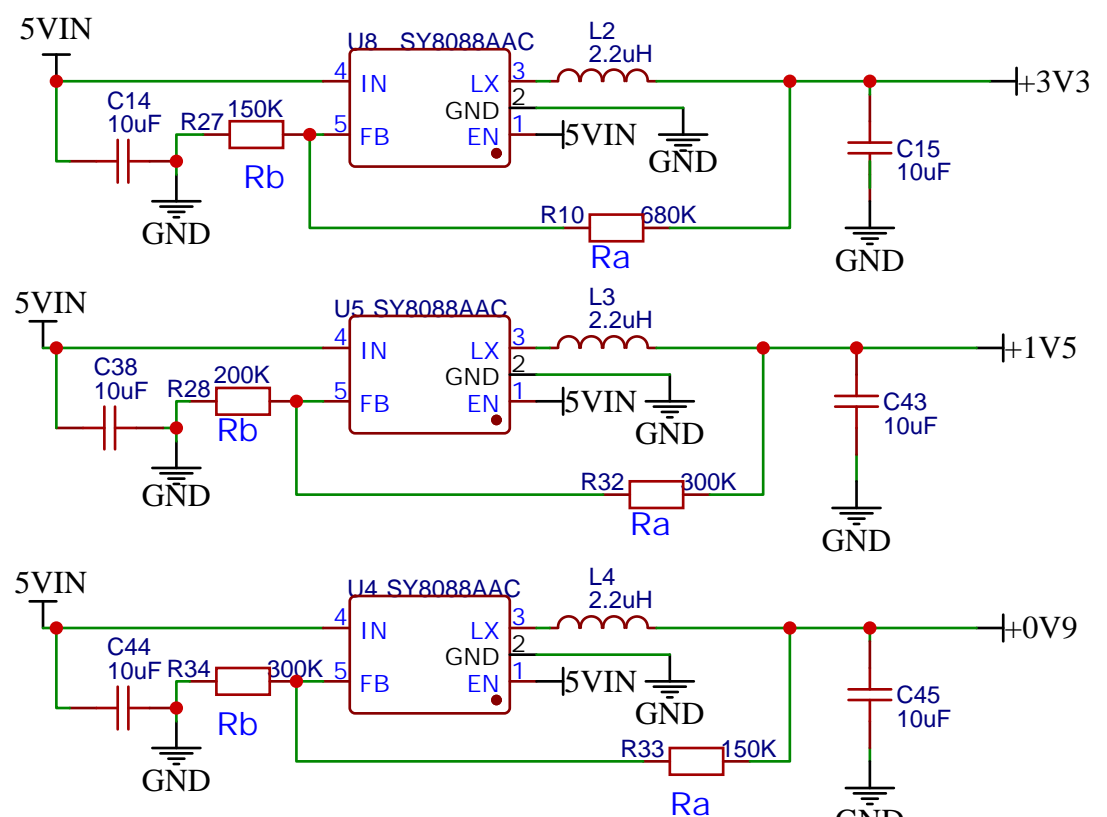




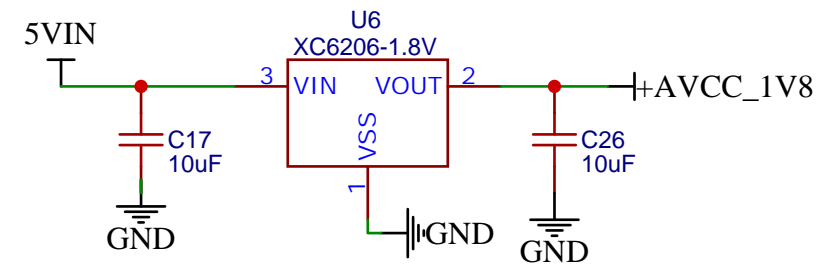
TITLE: Sheet_2	REV: 1.0
Company: Your Company	Sheet: 1/1
Date: 2022-08-16	Drawn By: ftwtwzy

RTL8723BS/WIFI蓝牙模块

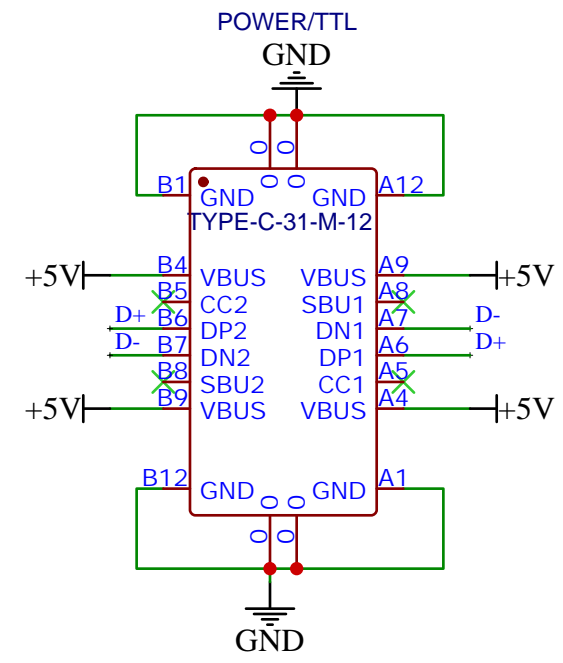




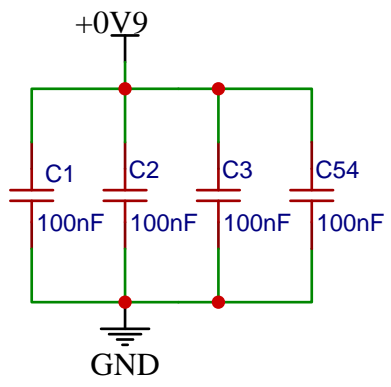
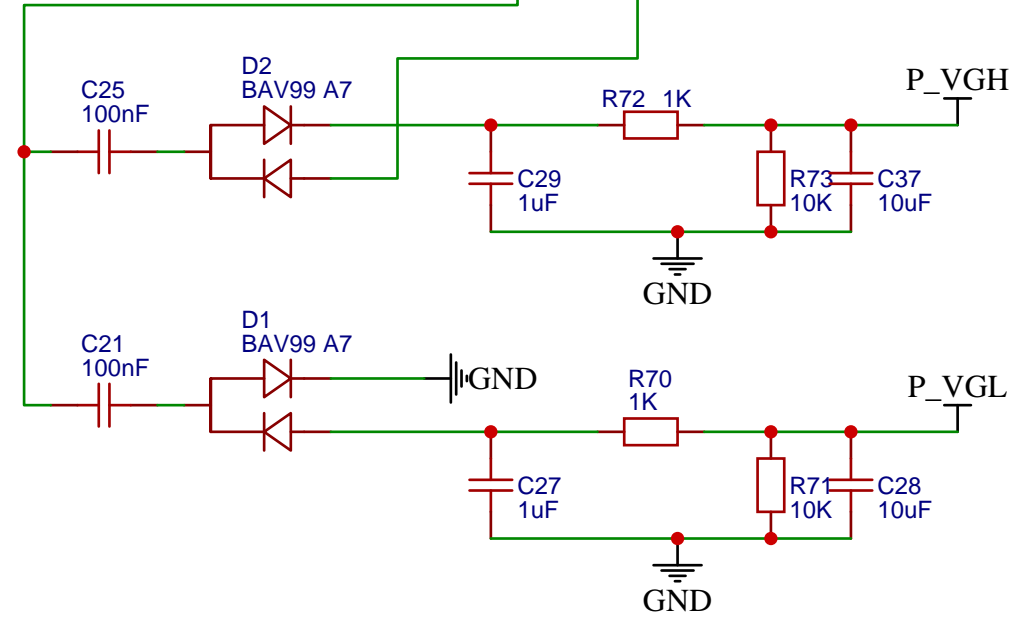
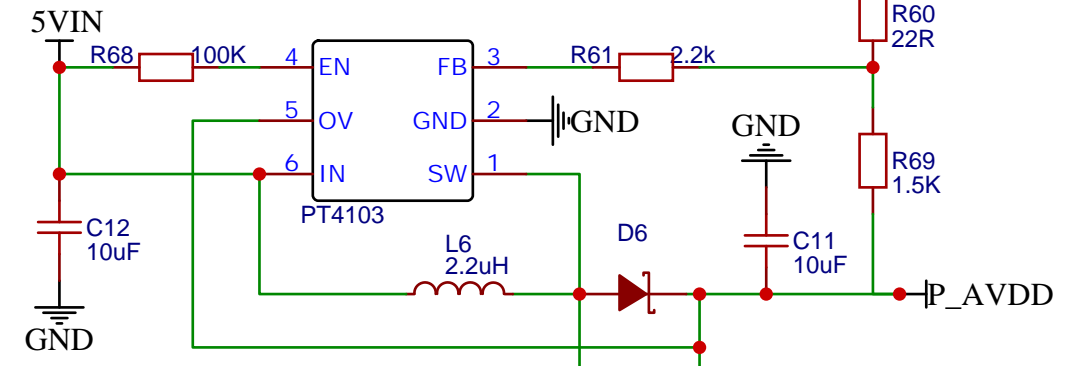
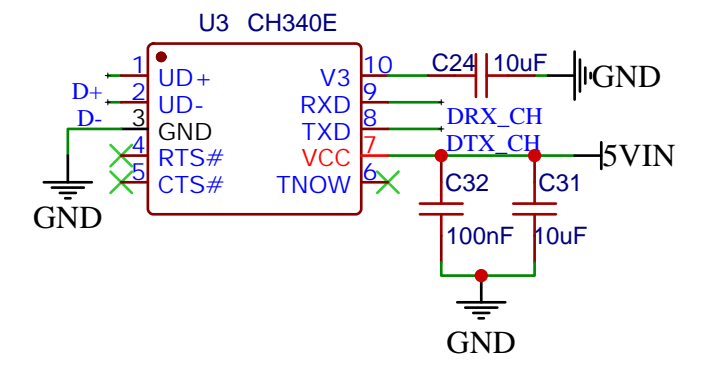
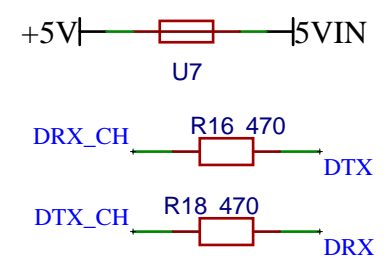
$$V_{out} = 0.6 * (1 + R_a/R_b)$$



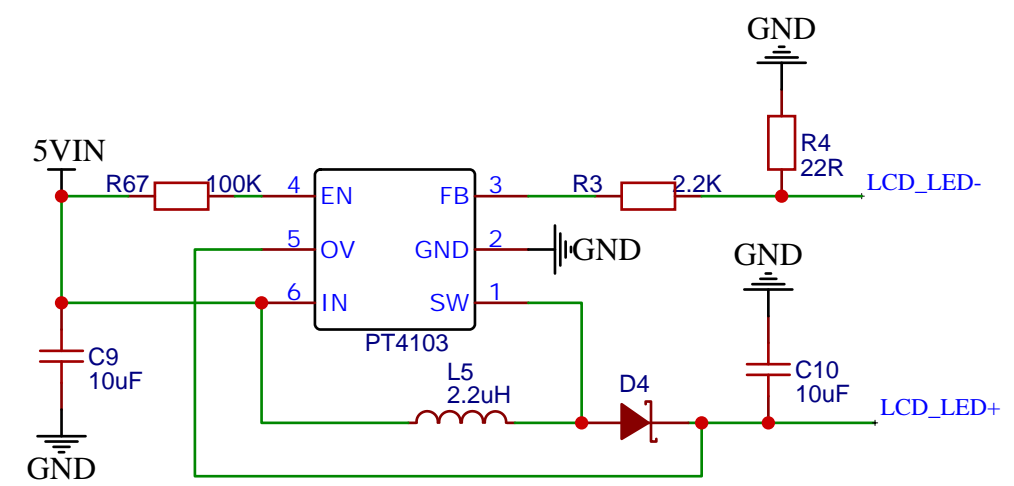
电源管理



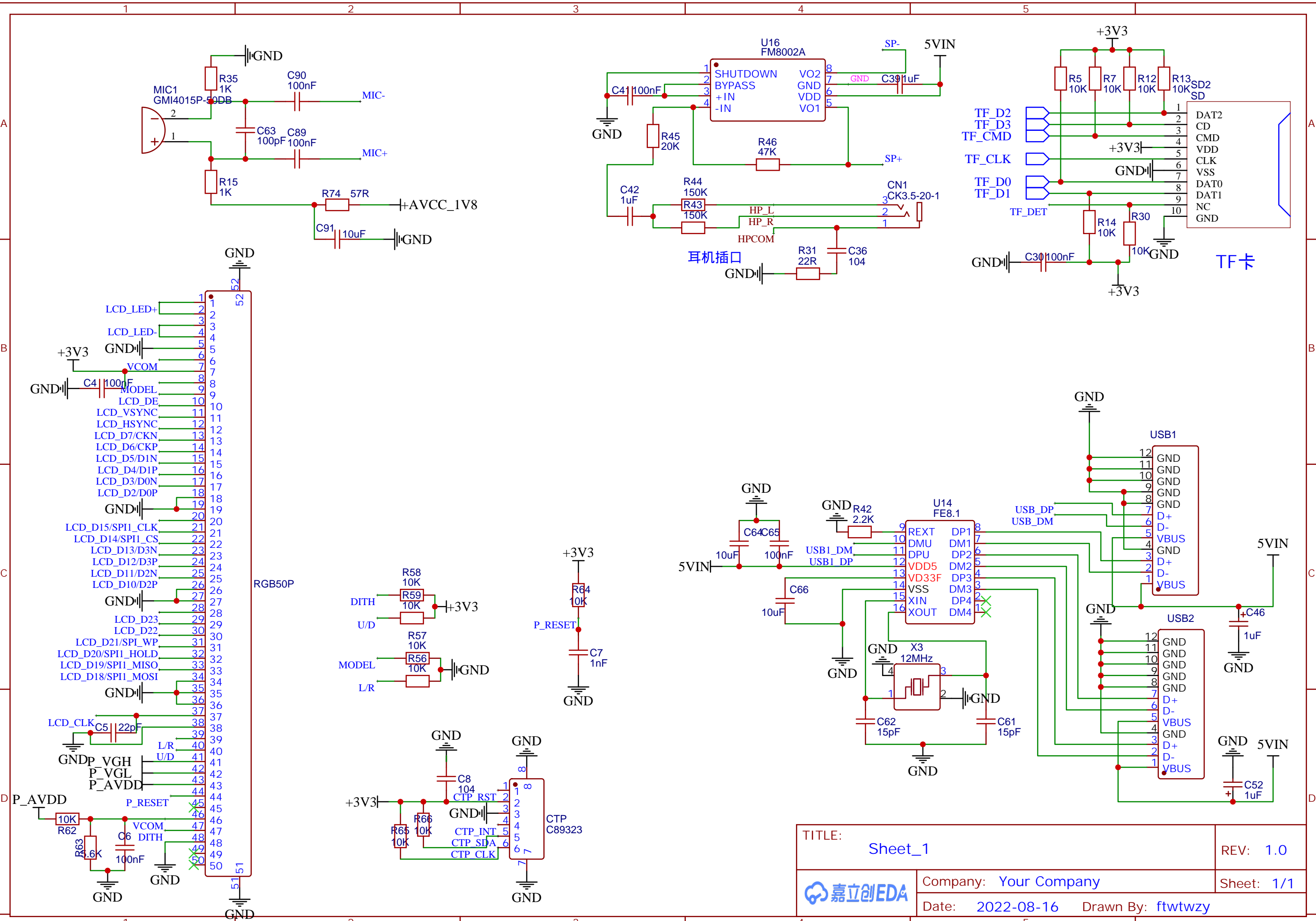
Type-c 供电/串口



滤波



TITLE: Sheet_1	REV: 1.0
Company: Your Company	Sheet: 1/1
Date: 2022-08-16	Drawn By: ftwtwzy



TITLE: Sheet_1		REV: 1.0
Company: Your Company		Sheet: 1/1
Date: 2022-08-16		Drawn By: ftwtwzy

