


# REVISION HISTORY

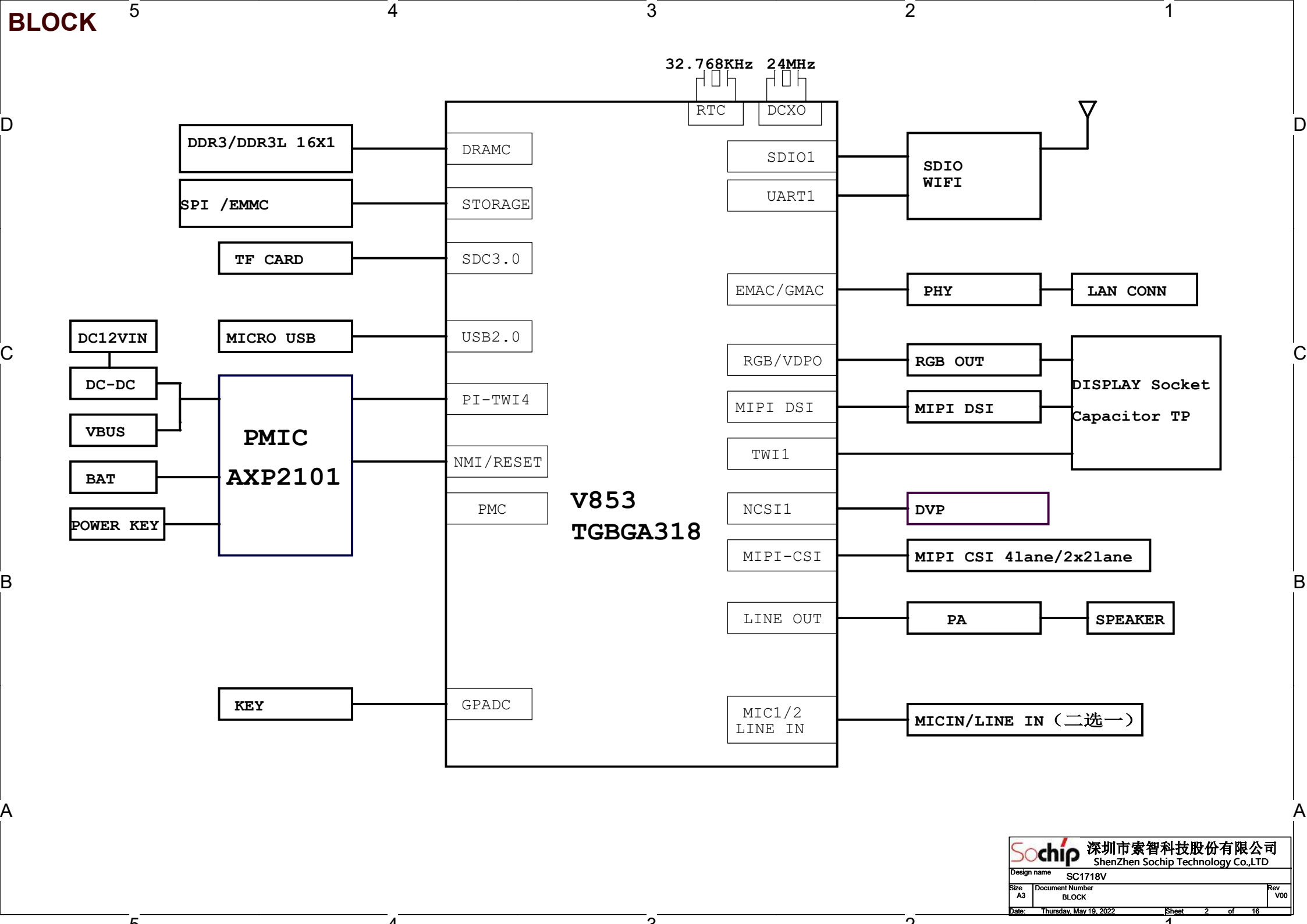
## Schematics Index:

- P01: REVISION HISTORY
- P02: BLOCK
- P03: POWER TREE
- P04: GPIO ASSIGNMENT
- P05: POWER
- P06: CPU
- P07: PF/PG/PH/PI
- P08: DDR3 16X1
- P09: eMMC/NOR
- P10: CARD/JTAG/UART
- P11: AUDIO/KEY/ADC
- P12: LCD/CTP/DSI
- P13: MIPI CSI/PI
- P14: CSI/RGMII/RMII
- P15: SENSOR/USB
- P16: WIFI

Revision	Description	Date	Drawn	Checked
Ver 0.1	Initial Version	2022-03-28	LSY	


**深圳市索智科技股份有限公司**  
 ShenZhen Sochip Technology Co.,LTD

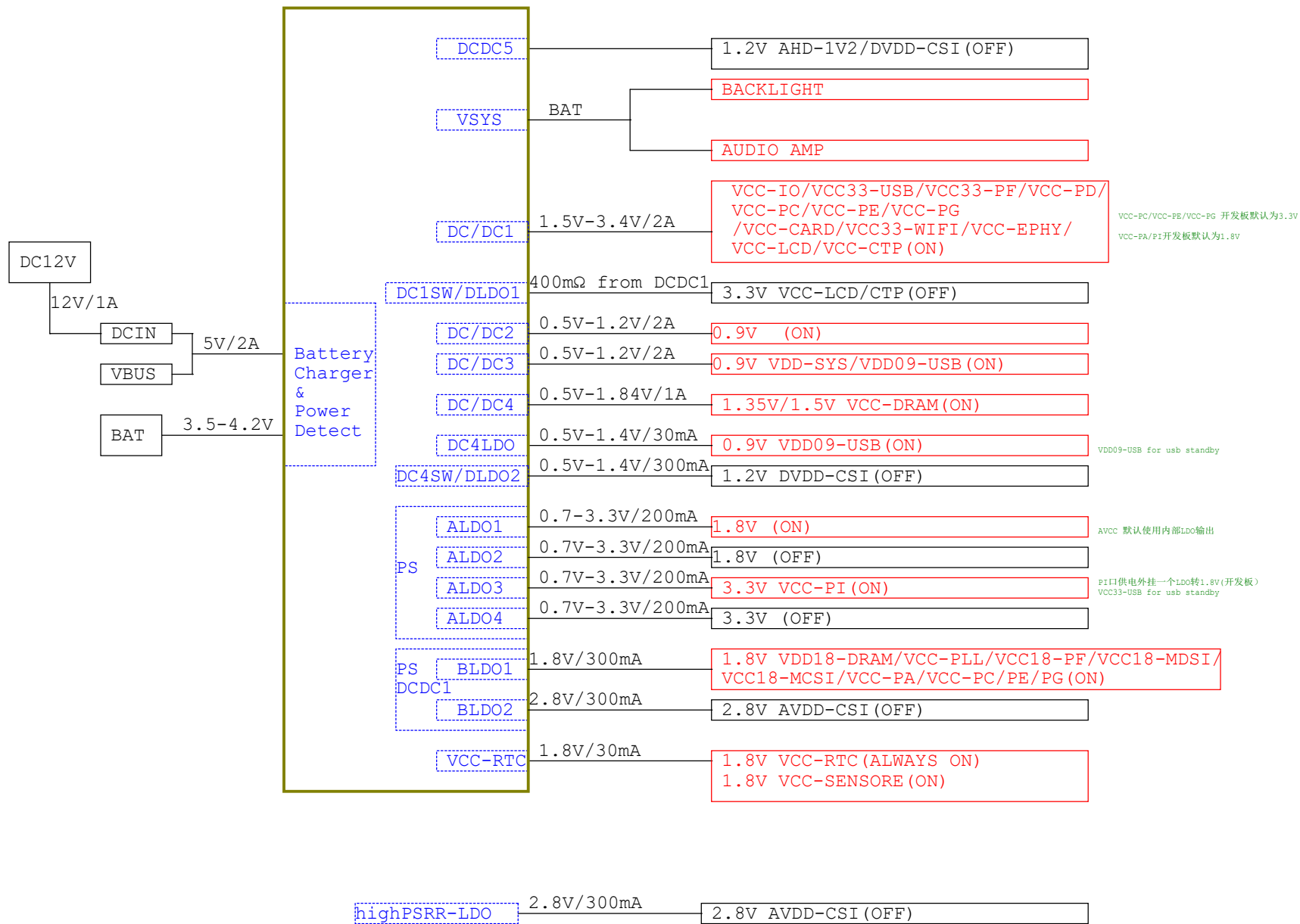
Design name		SC1718V
Size	Document Number	Rev
A3	REVISION HISTORY	V00
Date:	Thursday, May 19, 2022	Sheet 1 of 16



# POWER TREE

## AXP2101

DEFAULT POWER ON  
 DEFAULT POWER OFF



# GPIO ASSIGNMENT

4

3

2

1

D

D

C


C

B

B

A

A

 深圳市索智科技股份有限公司 ShenZhen Sochip Technology Co.,LTD		
Design name SC1718V		
Size A3	Document Number GPIO ASSIGNMENT	Rev V00
Date: Thursday, May 19, 2022	Sheet 4	of 16

5

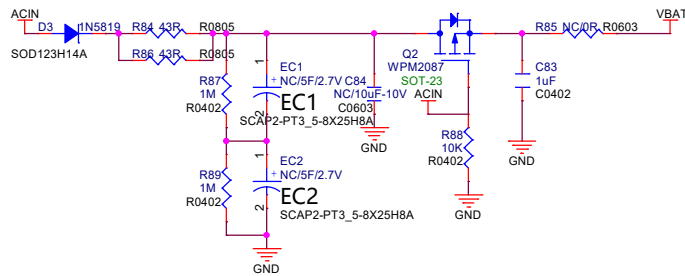
4

3

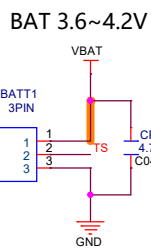
2

1

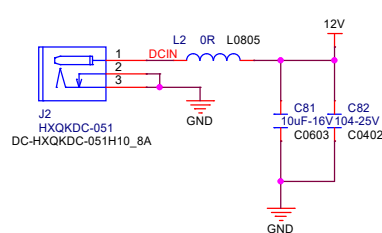
# VBAT&SUPER CAP



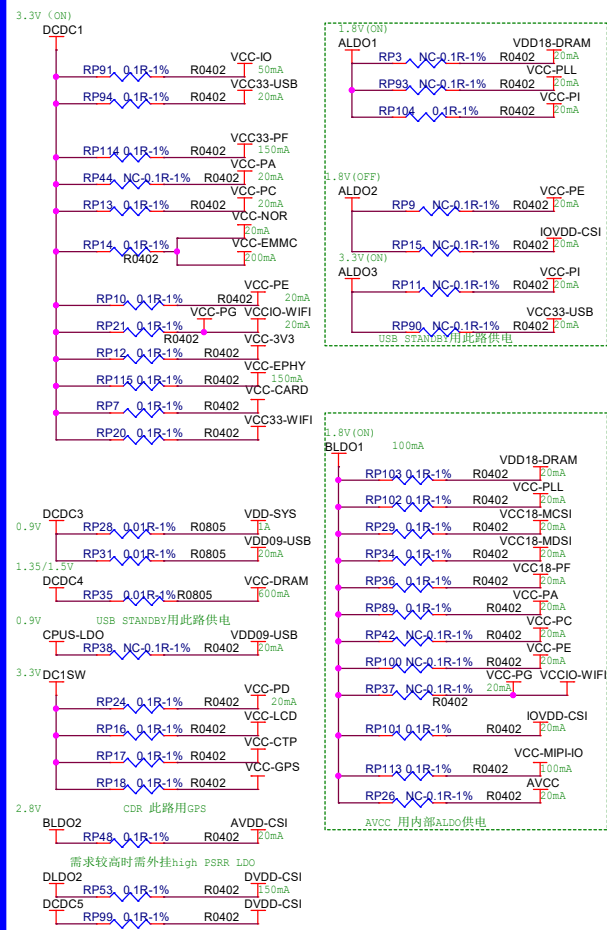
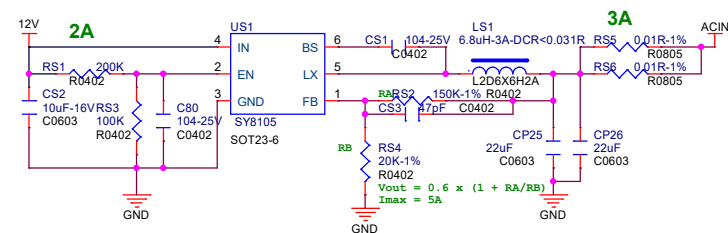
# BATT



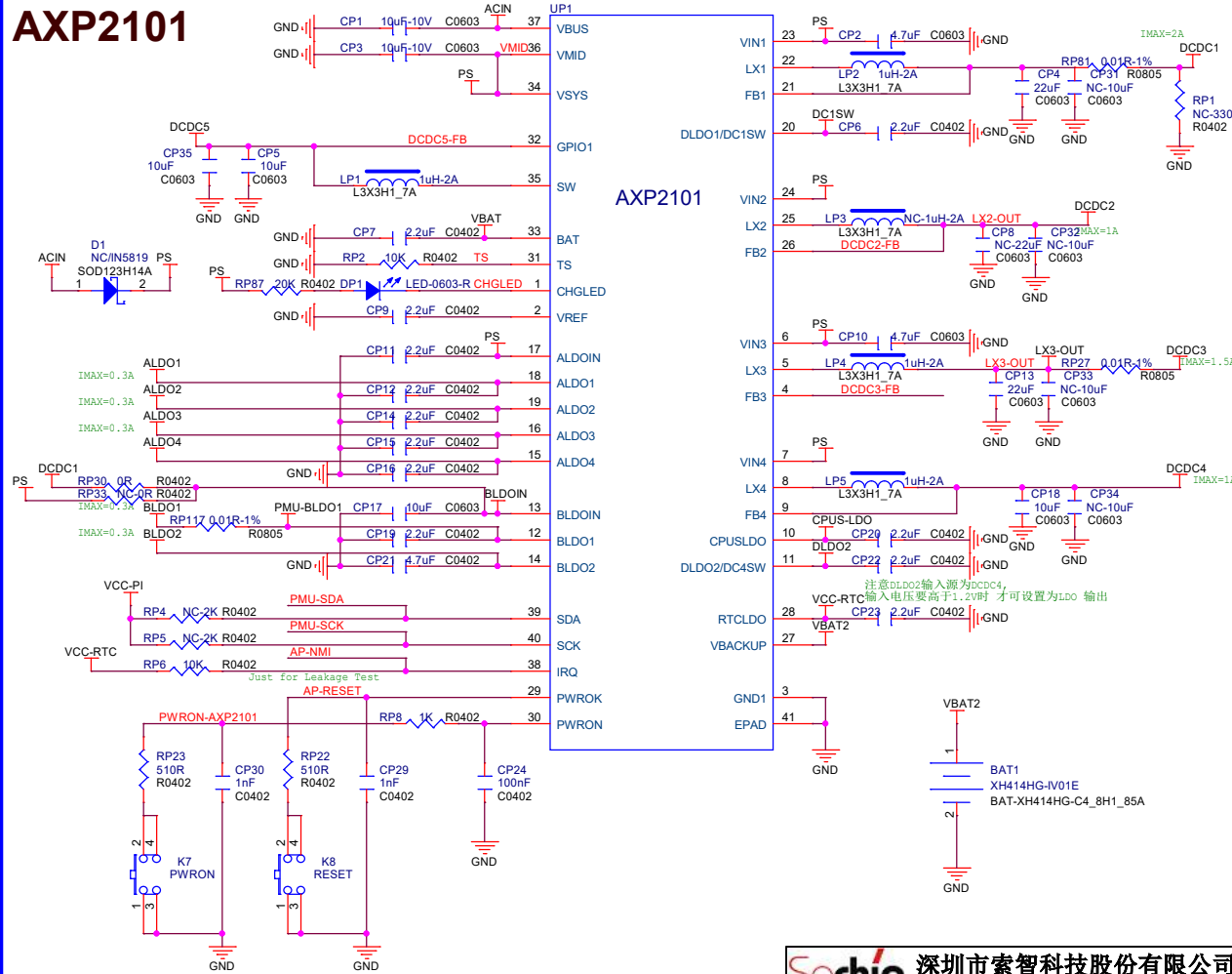
# DC JACK



# 12V BUCK



# AXP2101

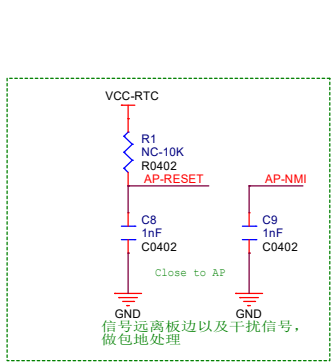


**Sochip** 深圳市索智科技股份有限公司  
ShenZhen Sochip Technology Co.,LTD

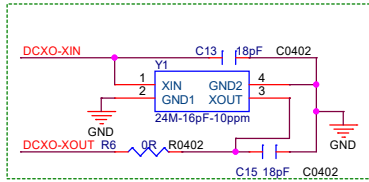
Design name: SC1718V

Size A3	Document Number POWER	Rev V00
---------	-----------------------	---------

Date: Thursday, May 19, 2022 Sheet 5 of 16

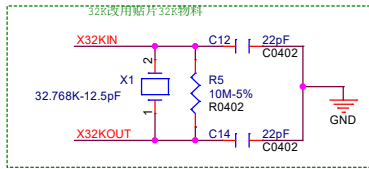


**DCXO-24Mhz**

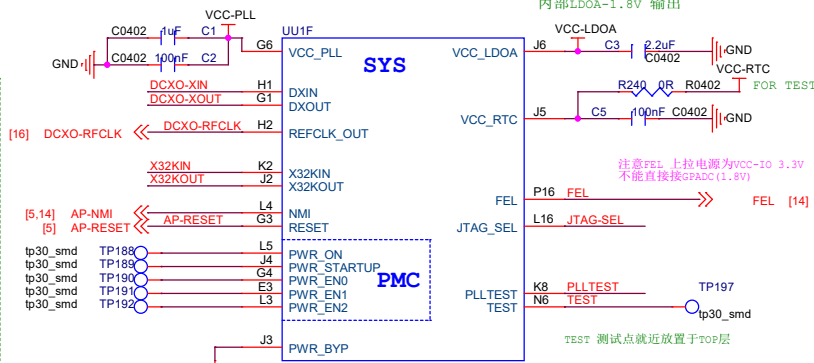
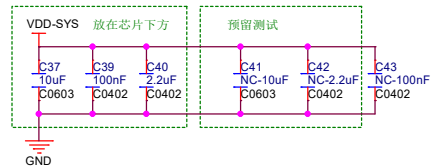


使用全志物料24Mhz=E38B24E004304E

**32.768KHz**



**DECOUPLE CAP**



[16] DCXO-RFCLK

[5,14] AP-NMI

[5] AP-RESET

tp30\_smd TP188

tp30\_smd TP189

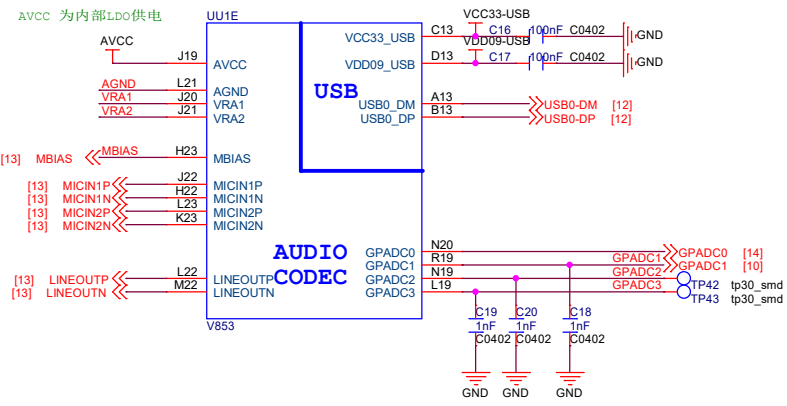
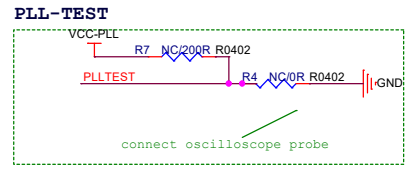
tp30\_smd TP190

tp30\_smd TP191

tp30\_smd TP192

PMC 模块功能由RESET-BYP决定，配置说明如下：

RESET-BYP	浮空为高电平	1. PMC 功能PIN有效； 2. 上电内部复位有效（需要外接高电平）； 3. 工作时支持外部复位PMC来复位SOC；
	接地为低电平	1. PMC 功能PIN无效，只有SWR/RESET信号有效； 2. 上电内部复位有效；也可外接EMD_PWR0K信号复位； 3. 工作时支持外部复位；



[13] MBIAS

[13] MICIN1P

[13] MICIN1N

[13] MICIN2P

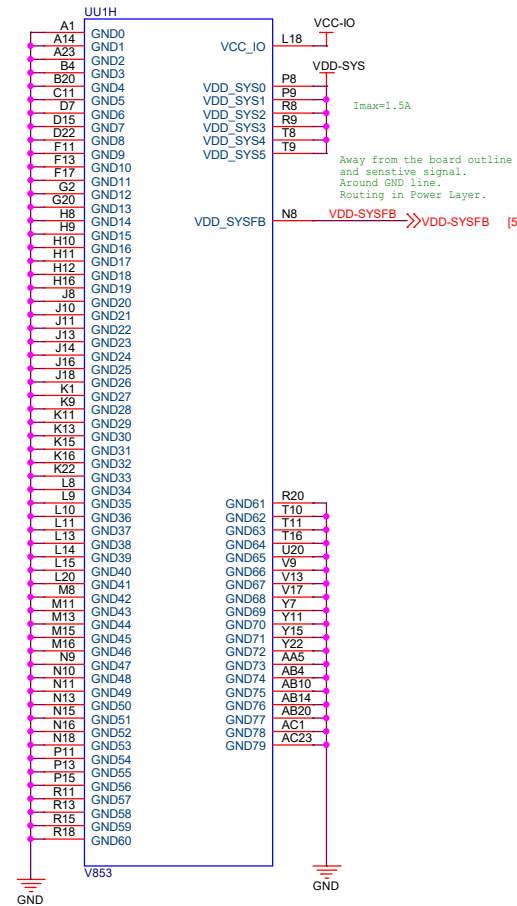
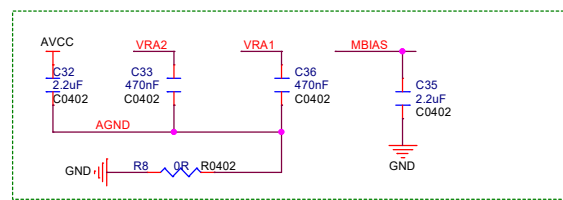
[13] MICIN2N

[13] LINEOUTP

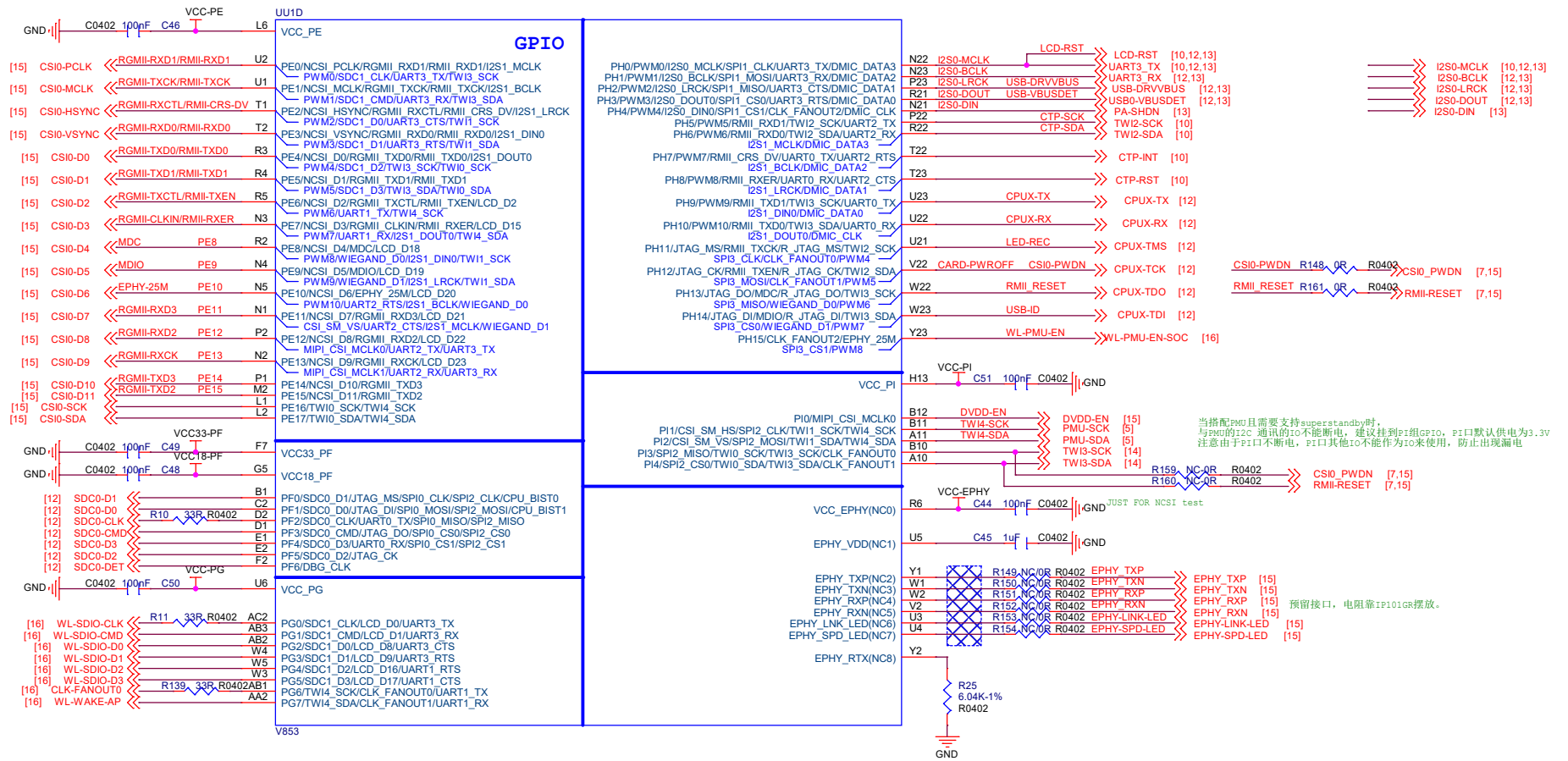
[13] LINEOUTN

[13] LINEOUTP

[13] LINEOUTN



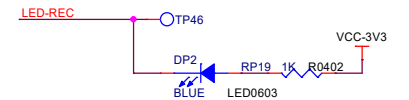
# SOC



## PE

0R 电阻默认贴上, 验证时可将其其他模块电阻去掉

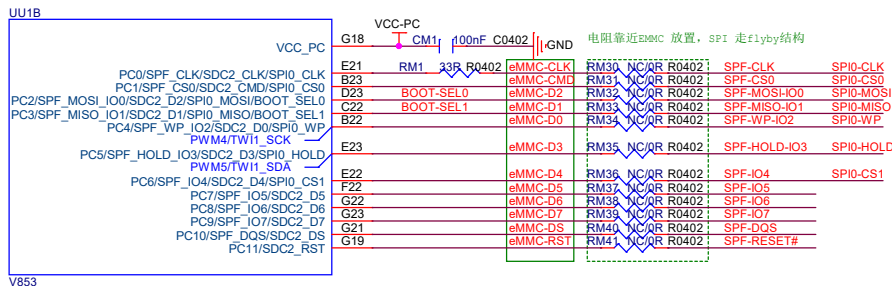
[16] BT-RST-N-SOC	R105 0R R0402	PE8	
[16] BT-UART-CTS	R106 0R R0402	PE10	
[16] BT-UART-RTS	R107 0R R0402	PE11	
[16] BT-UART-RX	R108 0R R0402	PE12	串口注意反向
[16] BT-UART-TX	R109 0R R0402	PE13	
[16] BT-WAKE-AP-SOC	R110 0R R0402	PE14	蓝牙BT和RGMII/DVP不能同时使用
[16] AP-WAKE-BT-SOC	R111 0R R0402	PE15	



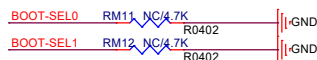




# FLASH



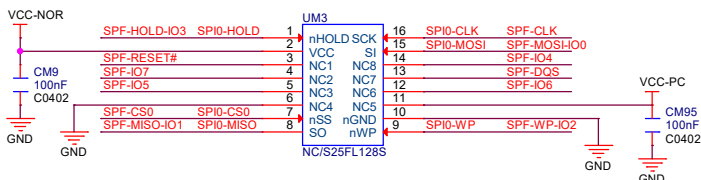
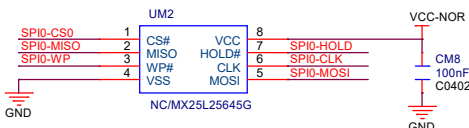
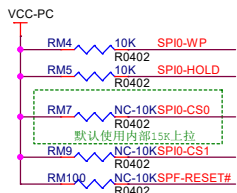
## BOOT-SEL



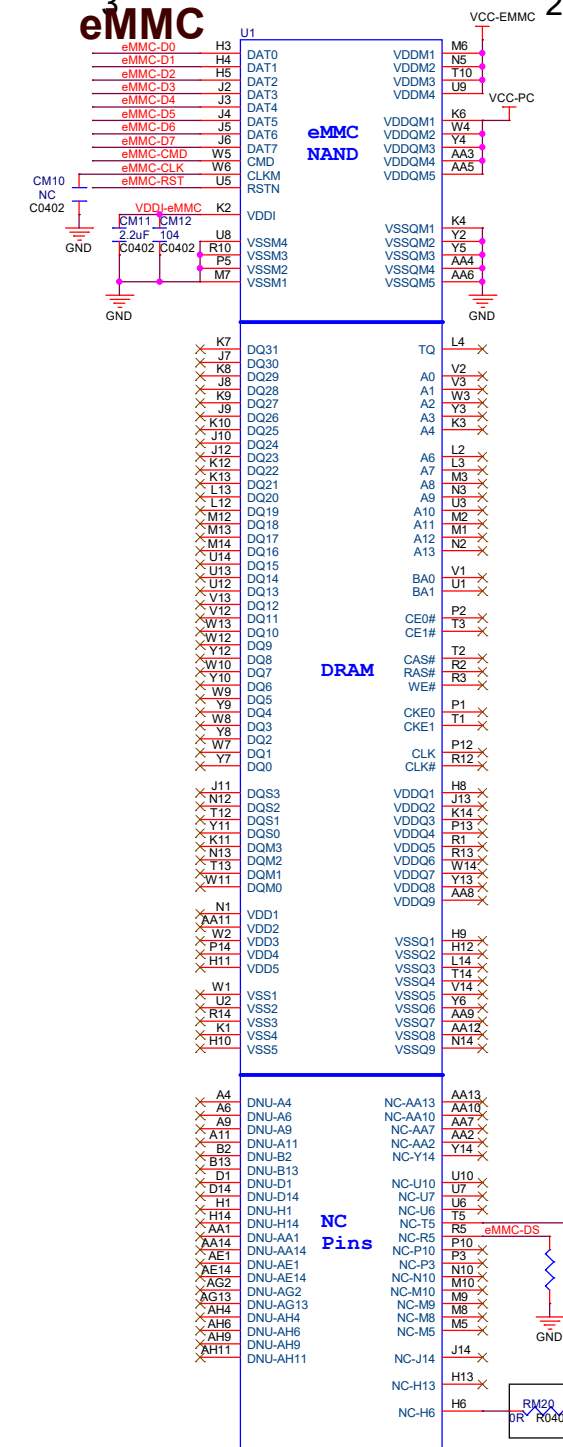
电阻靠近信号分叉点放置，以免影响信号质量

```
boot_sel[1:0]
0 0 SPI_NAND->SPI_NOR(4线)->SPI_NOR(1线)->USB
0 1 SPI_NOR(4线)->SPI_NOR(1线)->SPI_NAND->USB(快起)
1 0 SDC0->SPI_NAND->SPI_NOR(4线)->SPI_NOR(1线)->UART_BRUN->USB
1 1 (默认) SDC0->SPI_NOR(4线)->SPI_NOR(1线)->EMMC2_USR->EMMC2_BOOT->SPI0_NAND->UART_BRUN->USB
```

## PC-SPI0



# eMMC



可以使用内部15k下拉，外部下拉默认NC  
If use eMMC is not v5.0/v5.1, then NC this resistor.

If eMMC is not v5.0/v5.1, then NC this two resistors.

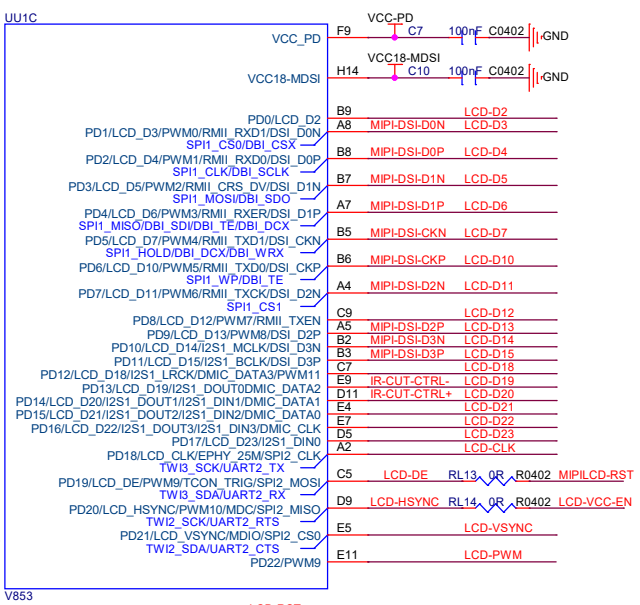
**Sochip** 深圳市索智科技股份有限公司  
ShenZhen Sochip Technology Co.,LTD

Design name: SC1718V

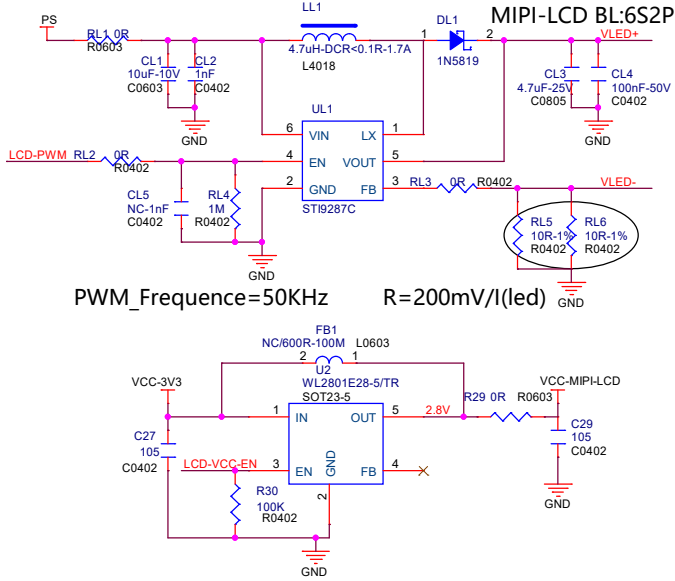
Size A3	Document Number EMMC/SP/NOR	Rev V00
---------	-----------------------------	---------

Date: Thursday, May 19, 2022 Sheet 9 of 16

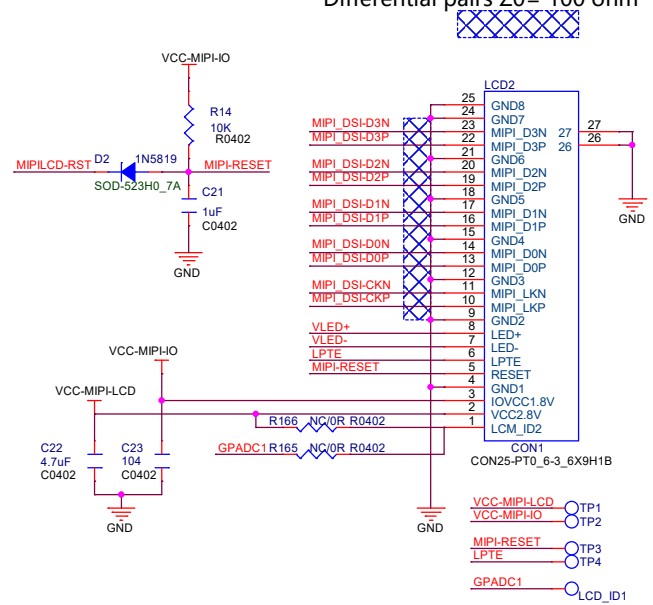
# LCD/PWM



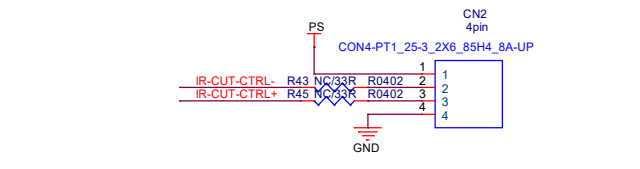
# BACKLIGHT



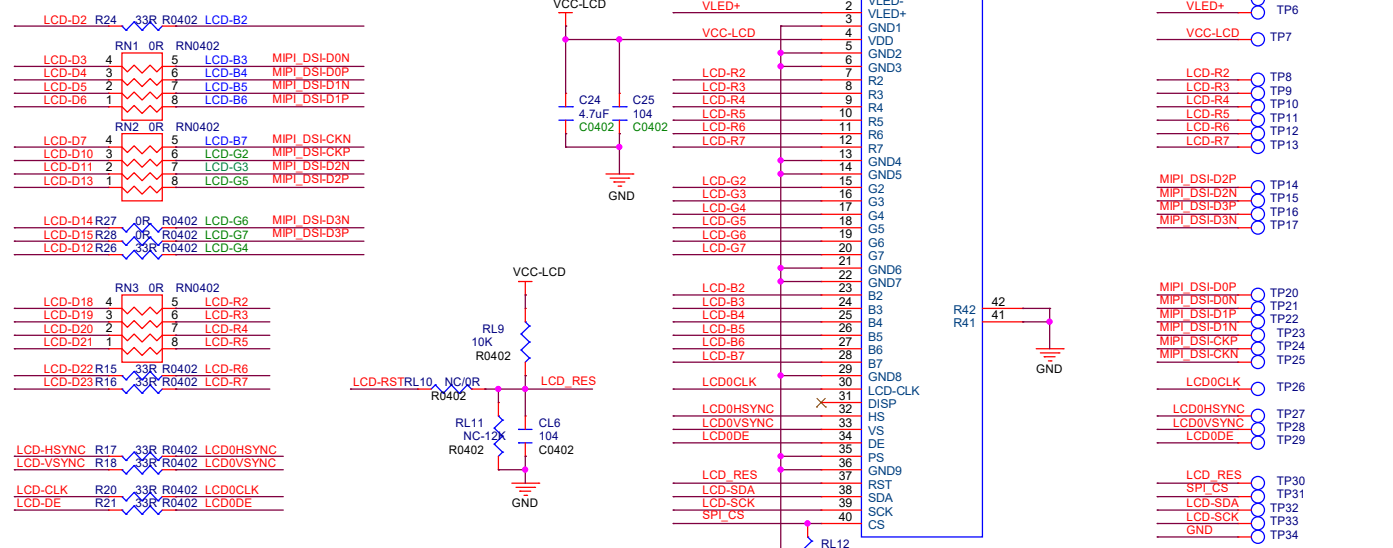
# MIPI LCD



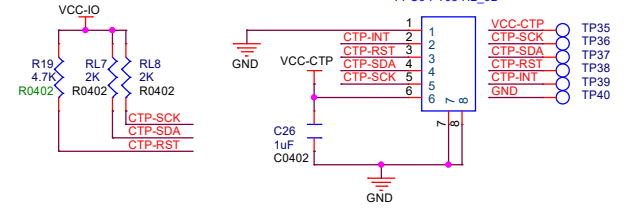
# IR\_Cut



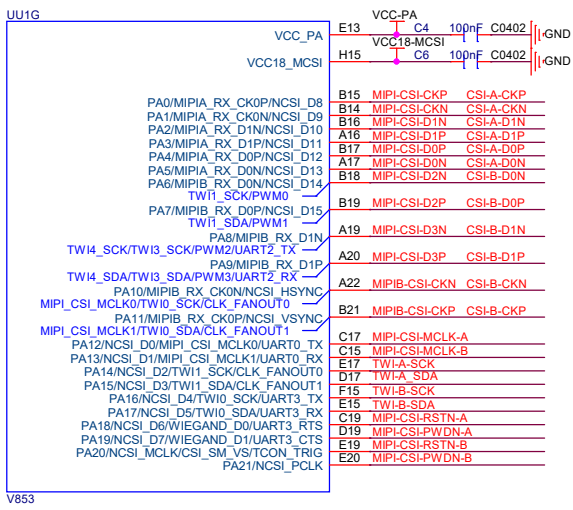
# RGB LCD



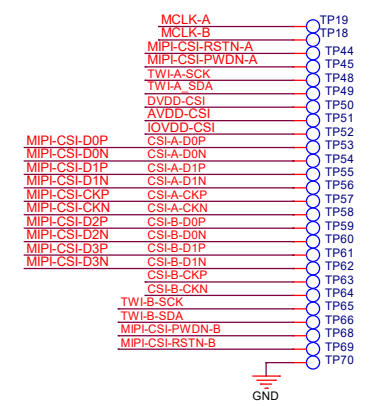
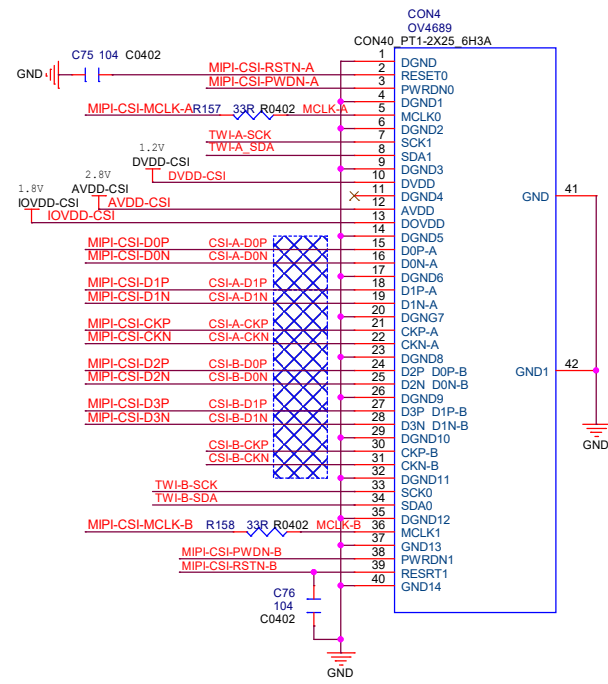
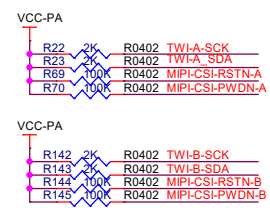
# CTP CN

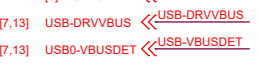
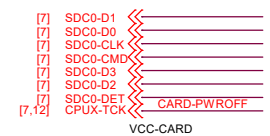


# MIPI CSI

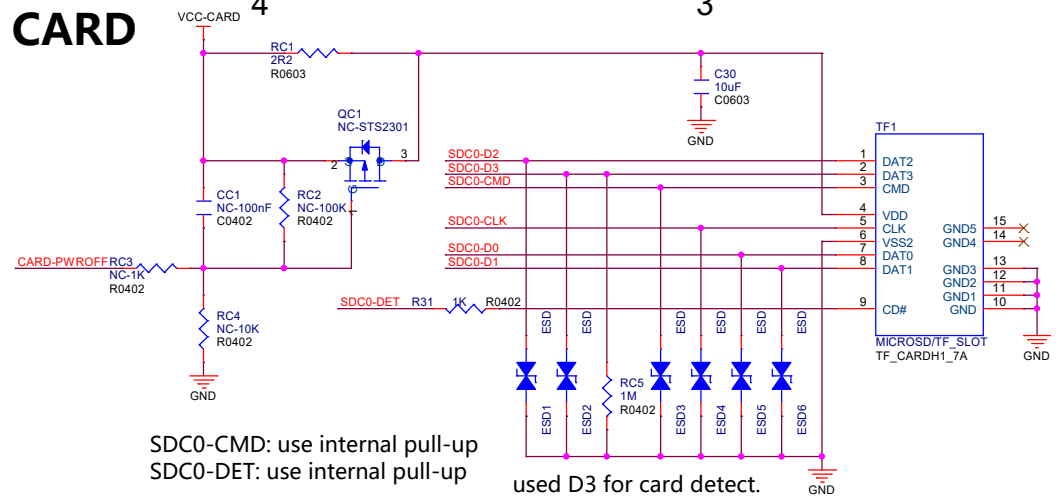


IO	两组MIPI-2lane	MIPI-4lane
PA0	MIPIA-CST-CK0P	MIPI-CST-CKP
PA1	MIPIA-CST-CK0N	MIPI-CST-CKN
PA2	MIPIA-CST-D1N	MIPI-CST-D1N
PA3	MIPIA-CST-D1P	MIPI-CST-D1P
PA4	MIPIA-CST-D0P	MIPI-CST-D0P
PA5	MIPIA-CST-D0N	MIPI-CST-D0N
PA6	MIPIB-CST-D0N	MIPI-CST-D2N
PA7	MIPIB-CST-D0P	MIPI-CST-D2P
PA8	MIPIB-CST-D1N	MIPI-CST-D3N
PA9	MIPIB-CST-D1P	MIPI-CST-D3P
PA10	MIPIB-CST-CK0N	
PA11	MIPIB-CST-CK0P	

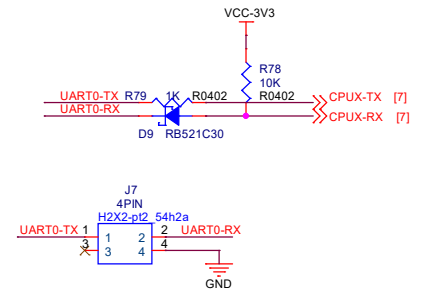




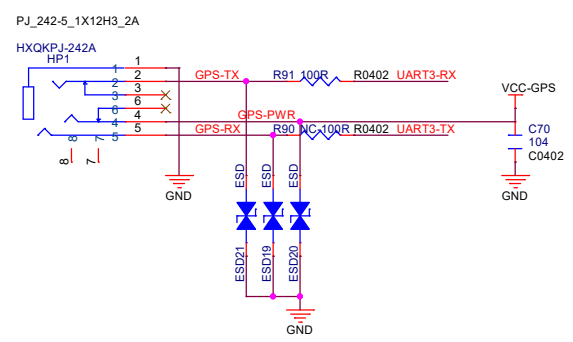
# TF CARD



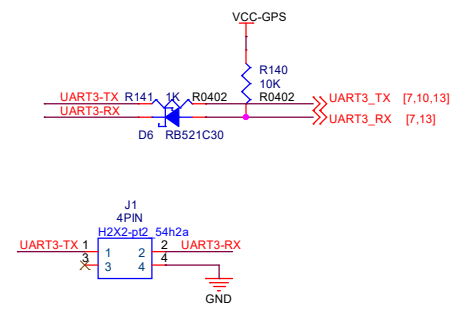
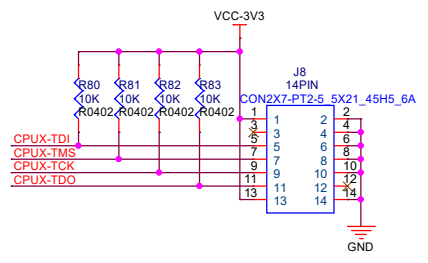
# UART



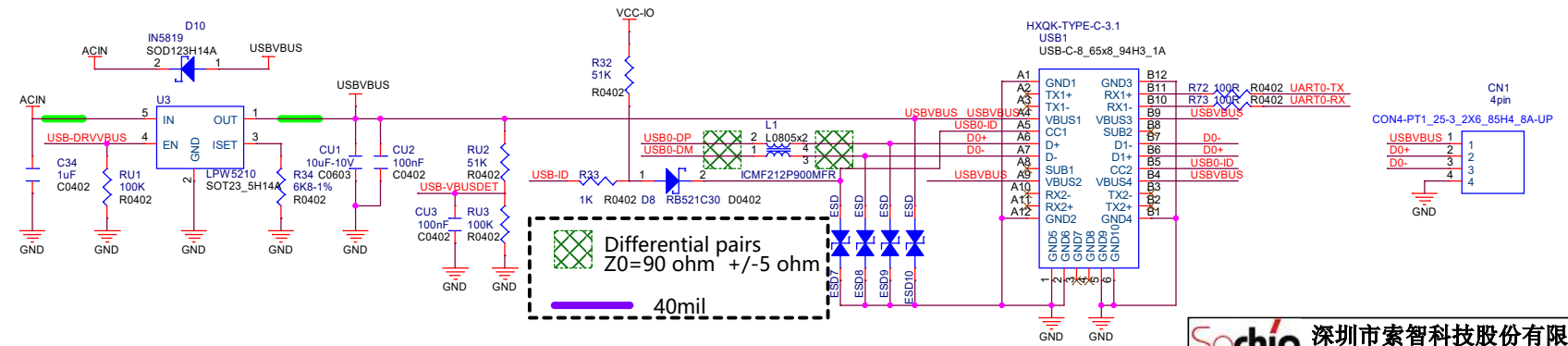
# GPS



# JTAG



# micro USB



# AUDIO

- [6] MBIAS
- [6] MICIN1P
- [6] MICIN1N
- [6] MICIN2P
- [6] MICIN2N

- [6] LINEOUTN
- [6] LINEOUTP

- [7,10] TWI2-SDA
- [7,10] TWI2-SCK

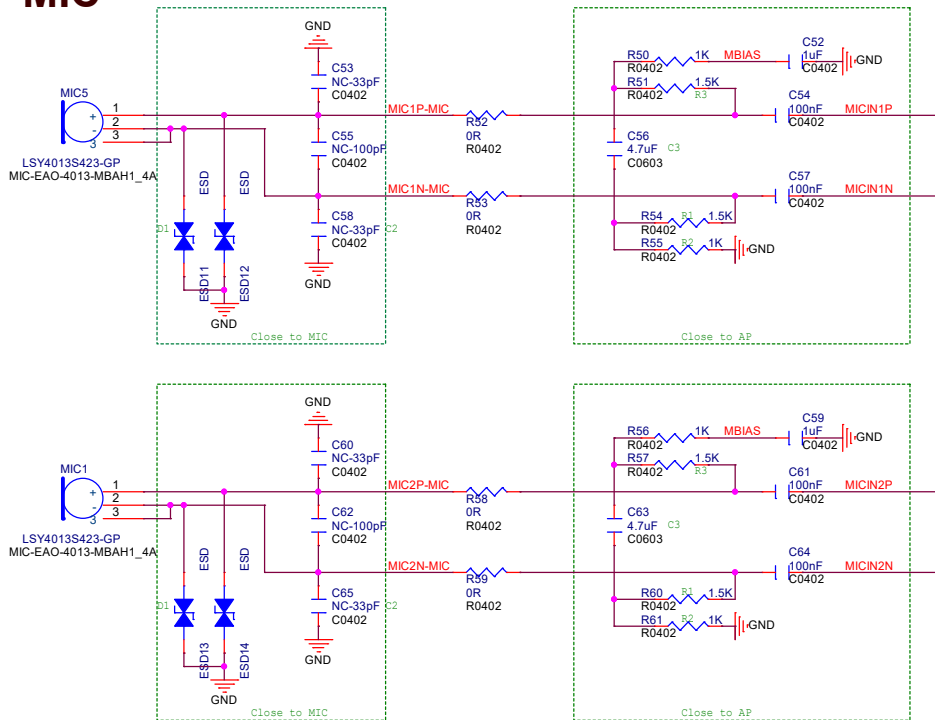
- [7] PA-SHDN

- [7,10,12] I2S0-MCLK
- [7,12] I2S0-LRCK
- [7,12] I2S0-BCLK
- [7] I2S0-DIN
- [7,12] I2S0-DOUT

I2S0-DOUT R9 NC OR R0402 I2S0-DIN

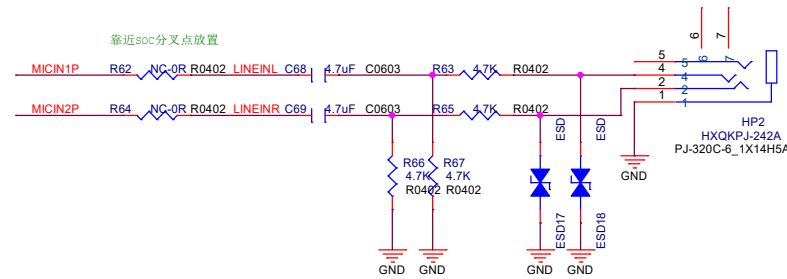
Need PCB MARK Signal Net

## MIC

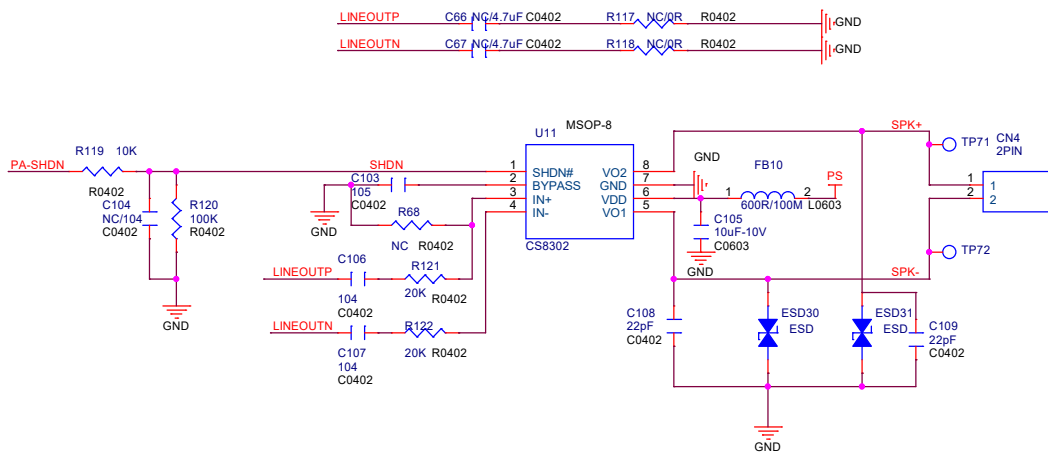


COMPONENT	Diferential	Single-ended
R1 R2 C3 D1	USE	NC
C2	NC-33pF	0R
R3	1.5K	1K

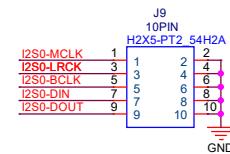
## LINE IN



## LINE OUT



## I2S



**Sochip** 深圳市索智科技股份有限公司  
ShenZhen Sochip Technology Co.,LTD

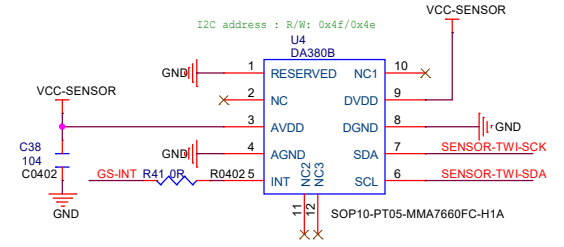
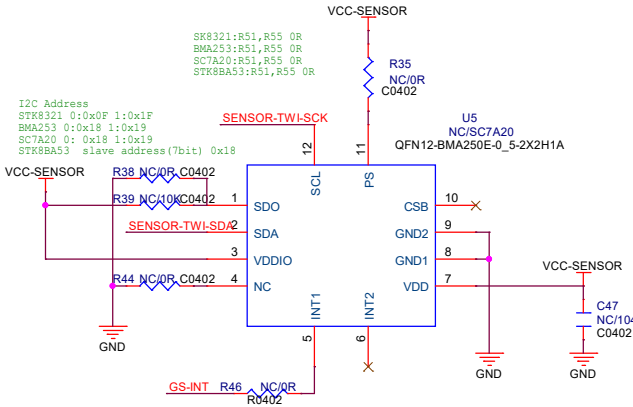
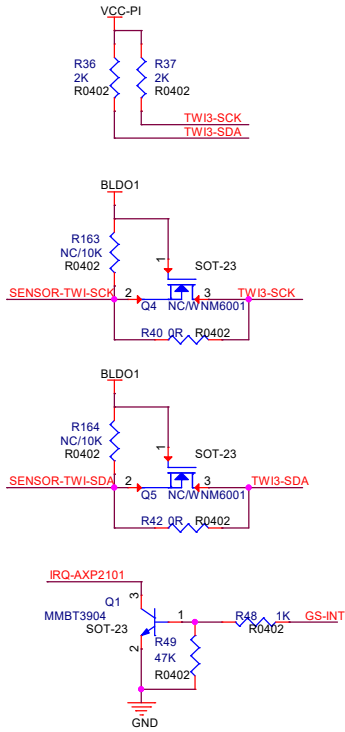
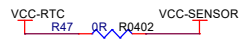
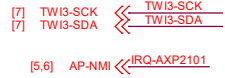
Design name: SC1718V

Size A3	Document Number AUDIO	Rev V00
Date: Thursday, May 19, 2022	Sheet 13 of 16	

# 3axis G-sensor

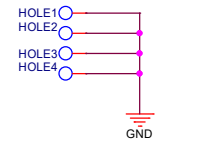
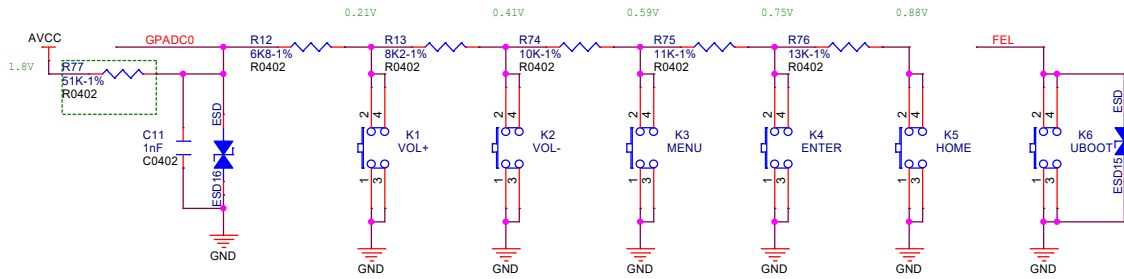
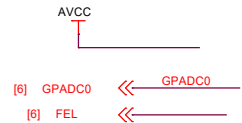
# SC7A20

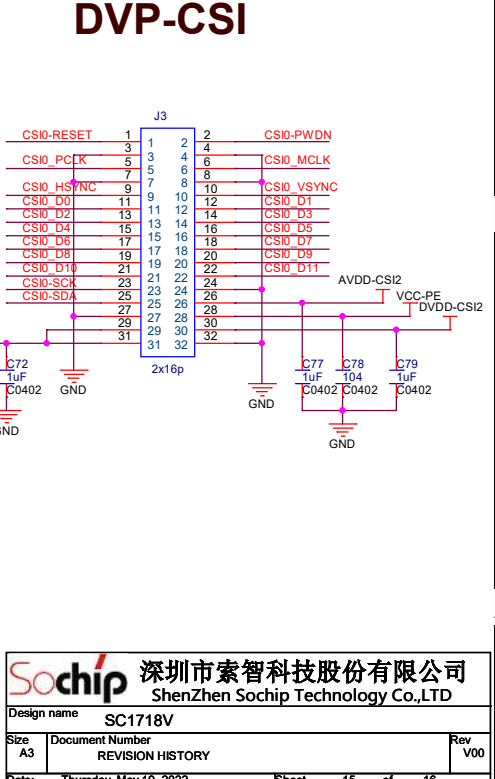
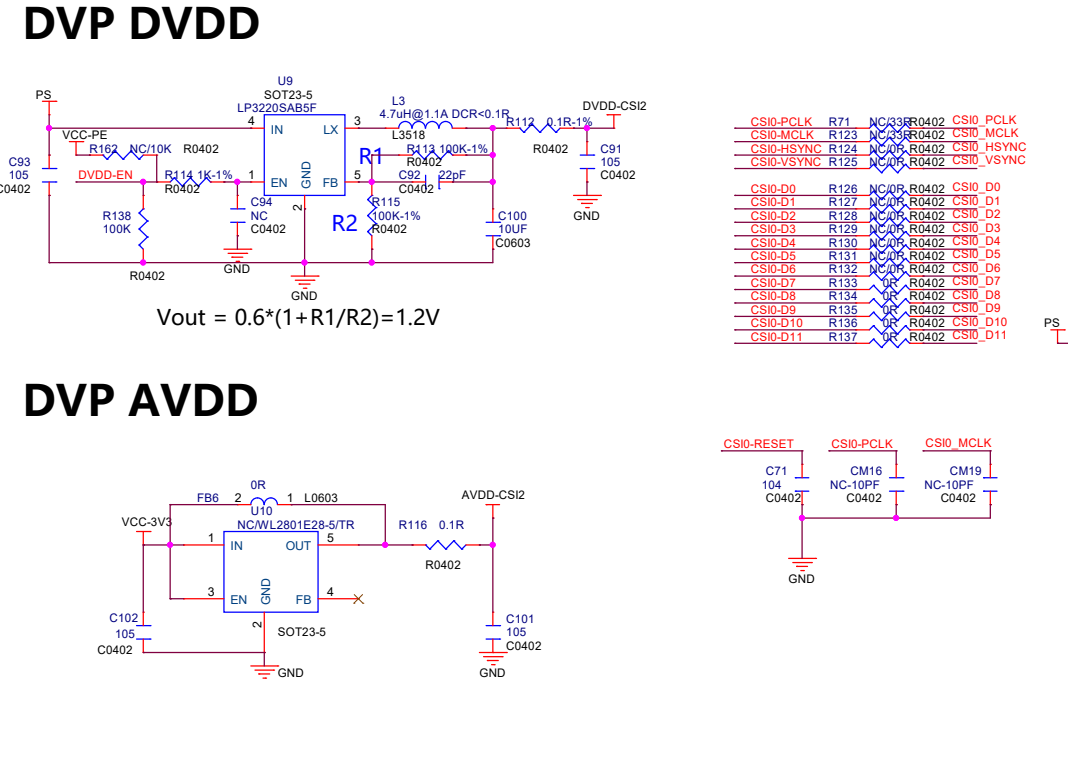
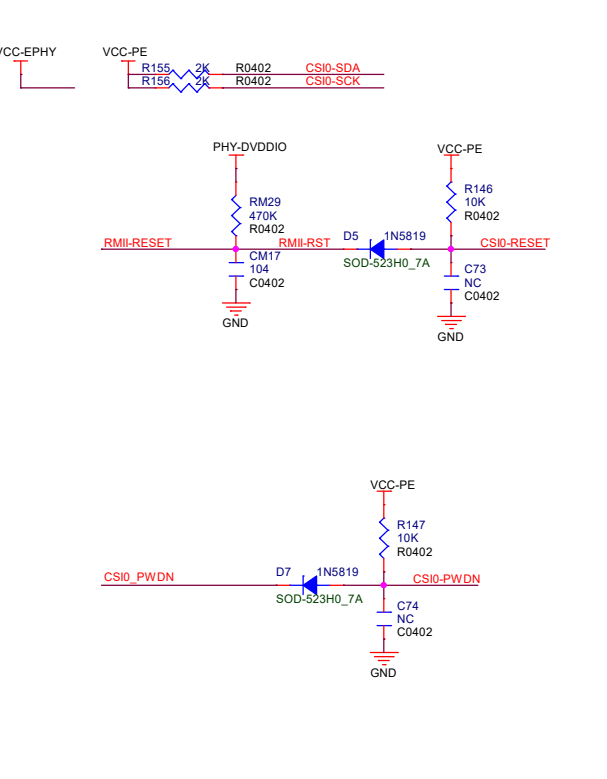
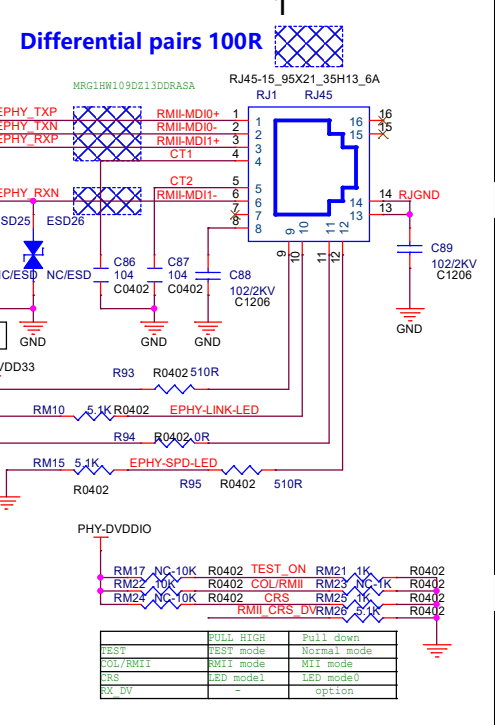
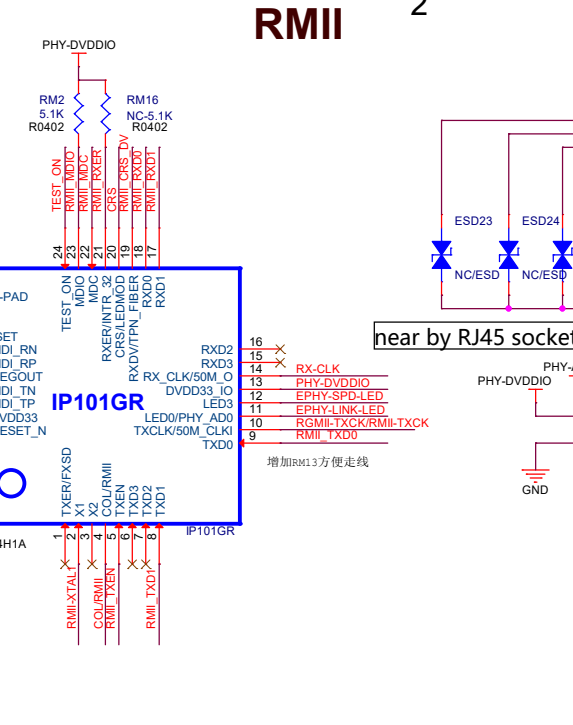
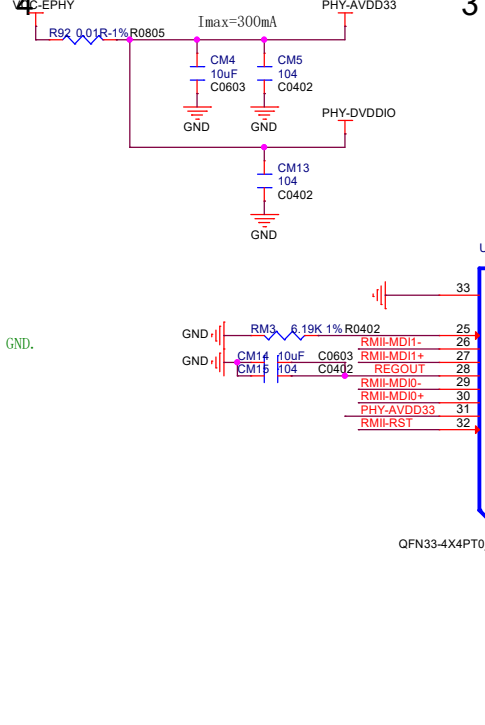
# DA380B



# KEY

# SCREW HOLES





# WIFI



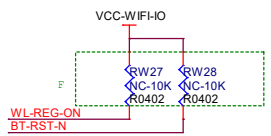
串口注意反向



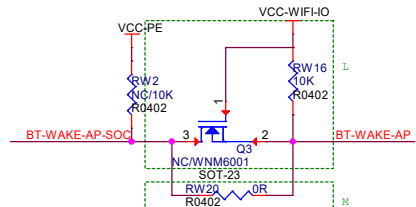
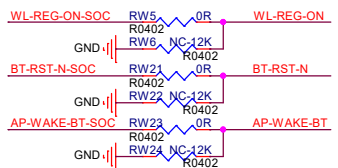
# APXXX/XR819S

Retlak8919fv  
BL-M8189FS

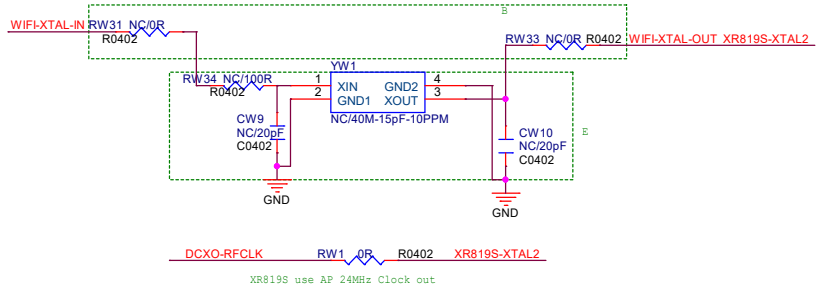
NOTE:  
注意SOC端GPIO和WIFI-IO电平匹配



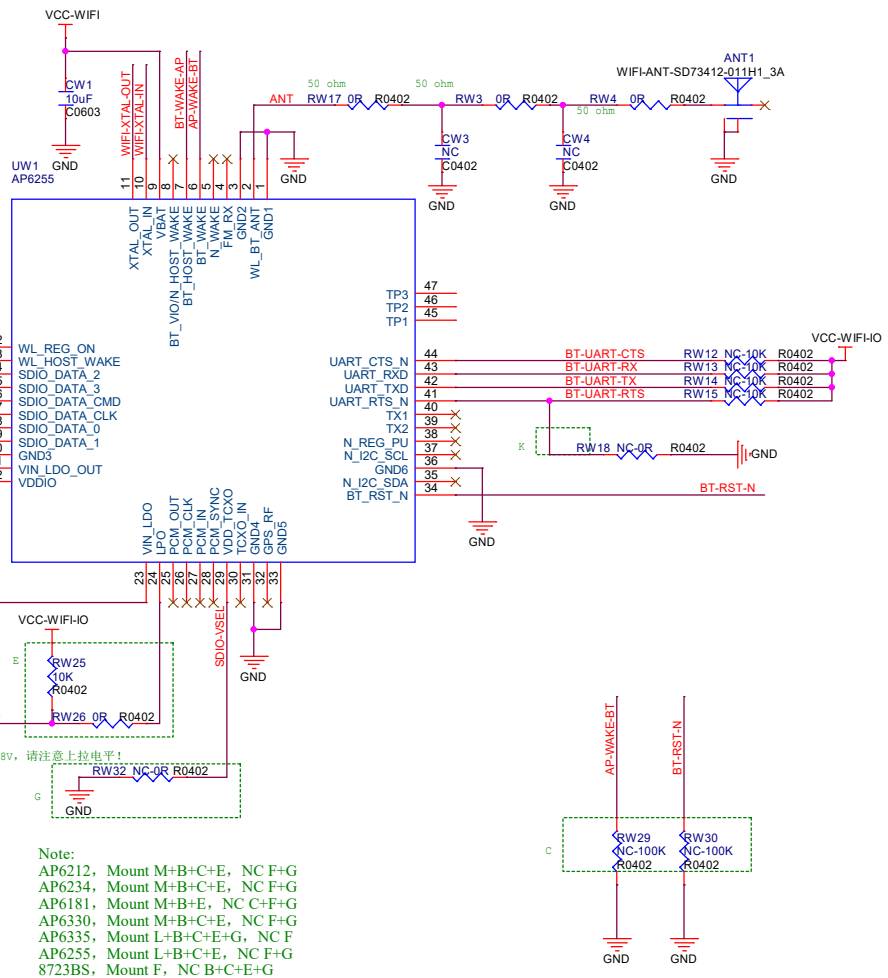
NOTE:3.3V 转1.8V 10K/12K电阻分压



Note:  
AP6212/AP6234/AP6181/8723BS/AP6330, Y1=26M  
AP6335/AP6255, Y1=37.4M



XR819S use AP 24MHz Clock out



Note:  
AP6212, Mount M+B+C+E, NC F+G  
AP6234, Mount M+B+C+E, NC F+G  
AP6181, Mount M+B+E, NC C+F+G  
AP6330, Mount M+B+C+E, NC F+G  
AP6335, Mount L+B+C+E+G, NC F  
AP6255, Mount L+B+C+E, NC F+G  
8723BS, Mount F, NC B+C+E+G

32K耐压电平为1.8v, 请注意上拉电平!

**Sochip** 深圳市索智科技股份有限公司  
ShenZhen Sochip Technology Co.,LTD

Design name: SC1718V

Size A3	Document Number	Rev V00
REVISION HISTORY		
Date: Thursday, May 19, 2022	Sheet 16	of 16